

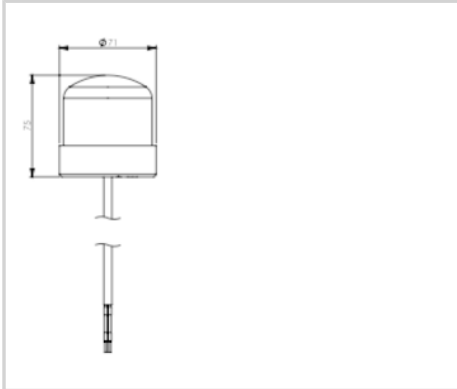
Touchdown and lift-off area lighting (TLOF)



+



- hard glass
- compact
- low power consumption
- compliant with ICAO
- 10-36VDC power supply
- FAA 3/4" NPT threaded hole for mounting
- A yellow base with threaded hole is included



Electrical Characteristics	
Wattage	3W (inrush 1A)
Main voltage	10VDC to 36VDC
Mechanical Characteristics	
IP degree	IP66
Operating temperature	-40/+55°C
Color	green
Attachment	1 NPT threaded holes or 3 M4 0.7
Photometric Characteristics	
Luminous intensity	> 32cd
Standards	
Standards compliance	ICAO Annex 14, Volume II – Heliports and Volume 1