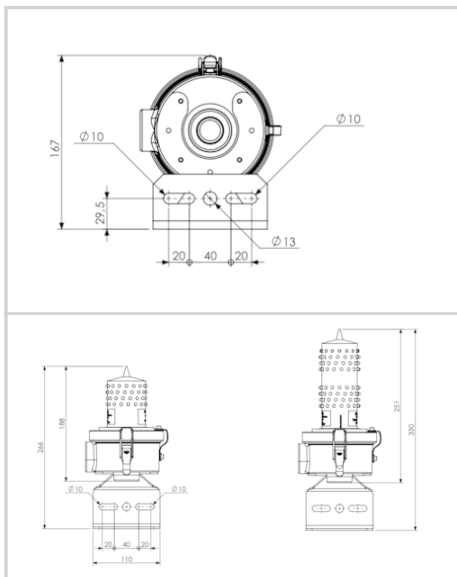


Low intensity type A and B (L-810 FAA 150/5345-43H)



- The reference 113965-KIT include the Navilite lamp (113965) with a stainless steel bracket and cable gland (113928)
- Light part completely molded with 4 levels of leds
- Redundant circuits for LED's : 16 circuits of 4 LEDs in redundancy
- Surge protection included inside an aluminum red painted base
- Provided with stainless bracket for mounting and hot-galvanized cable entry
- Molded design with no loose parts during installation



Electrical Characteristics	
Wattage	6 W
Life time	~10years
Main voltage	48VDC ± 10%
Mechanical Characteristics	
IP degree	IP65 in vertical position
Wiring	Terminal connection (2 power wires)
Operating temperature	-40/+55°C
Weight	2.5 kg
Weight	1 kg
Wire cross section	from 1 to 2,5 mm ²
Attachment	2 NPT threaded holes
Photometric Characteristics	
Luminous intensity	> 35 Cd
Color night time	Red
Vertical beam spread	>10°
Horizontal beam spread	360°
Standards	
Standards compliance	ICAO annex 14 chapter 6, FAA (AC 150/5345-43H), EASA, DGAC, CAA (CAP 168)