

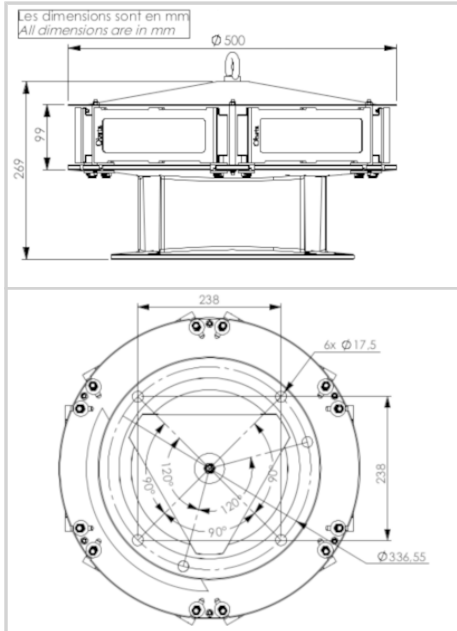
Dual color medium intensity including 6 dual color led projectors. This flash-head must be powered through a complete external obsta power supply through a shielded cable 18G1,5



Dual color medium intensity flashhead including:

6 led projectors made in hard glass and aluminium painted coming with a molded cable a junction box to be used with multi strand cable a support in aluminium painted

This flash-head must be connected with a cable 18G1.5 (OBSTA P/N 127106) and powered through an external obsta power supply



Mechanical Characteristics	
Operating temperature	-40/+55°C
Weight	15 kg
Size of the light	333mm (height) x 500mm (diameter)
Attachment	6 mounting holes dia.16mm, dia.337mm circle (FAA standard)
Photometric Characteristics	
Effective light output day time at 0° on site	20 000cd (white)
Effective light output twilight mode at 0° on site	20 000cd (white)
Effective light output night mode at 0° on site	2000cd (red) with IR
Color day/twilight time	white
Color night time	Red
Vertical beam spread	>3°
Horizontal beam spread	360°
Standards	
Standards compliance	ICAO annexe 14 chapter 6 (7th edition 2016), EASA (4th edition 2017), Nema