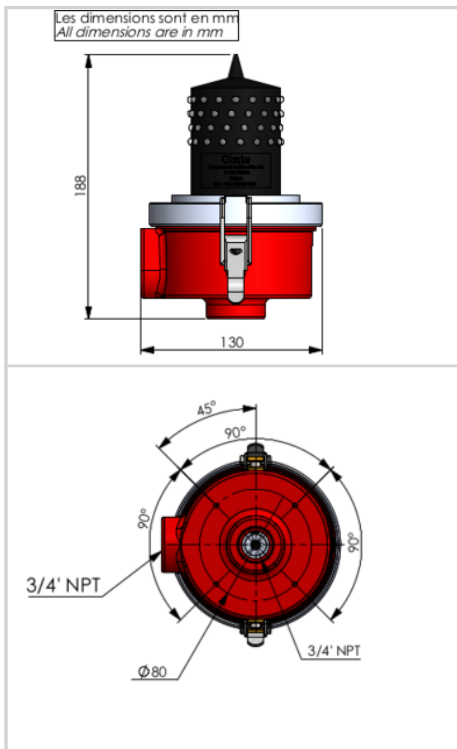


Double steady-burning light NAVILITE-F-120-240V should be installed when used as a top light in areas or locations where the failure of a single unit could cause an obstruction to be totally unlighted



- 2 NAVILITE-F-48V (113965) and a bracket for the 2 lights (113928)
- Surge protection included
- 3/4" NPT threaded holes for mounting the system
- No losing part during installation

For "main and back-up" configuration and/or alarm relay normally open or normally close and /or night only operation and/or special blinking mode, a command box has to be ordered separately



Electrical Characteristics	
Wattage	15 W
Life time	~10years
Main voltage	48Vdc ± 10%
Mechanical Characteristics	
IP degree	IP65 in vertical position
Wiring	On 4 stripped wires (2 for each lamp)
Operating temperature	-40/+55°C
Weight	1.15 kg
Weight	3kg
Wire cross section	from 1 to 2,5 mm ²
Attachment	vertical NPT threaded holes
Photometric Characteristics	
Luminous intensity	> 35 Cd
Color night time	Red fixed
Vertical beam spread	>10°
Horizontal beam spread	360°
Standards	
Standards compliance	ICAO annexe 14 chapter 6 (8th edition 07/2018), EASA (4th edition 2017)
Certification	FAA (AC 150/5345-43H) ETL verified