

The obsta spherical markers are compliant with International Civil Aviation Organisation (ICAO) annex 14 chapter 6 recommendations. They are used for day marker for meteorological towers (guyed structures), ground cable on transmission lines etc

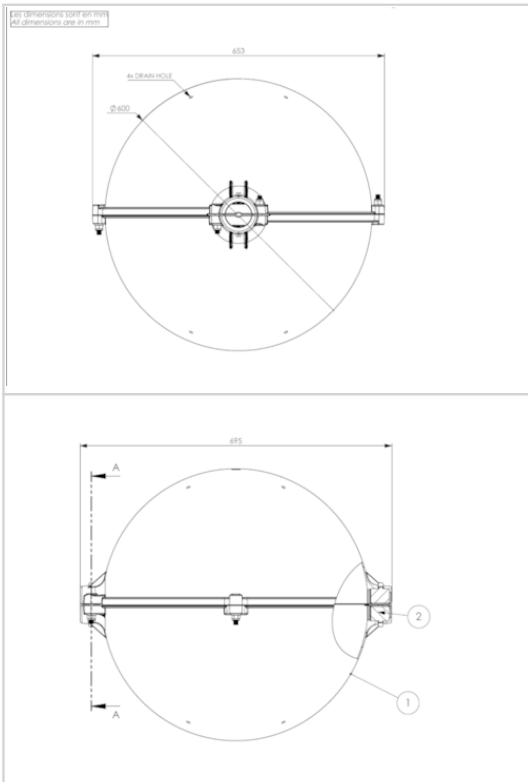


- overall diameter 600mm
- material: polyethylene
- clamps suitable for ground cable or OPGW
- colour: white, red or aviation orange as per ICAO (annex 14 chapter 6 of International Civil Aviation Organisation)
- easy and quick assembly with 6 nuts only (no losing bolts)

White strips made of polymeric vinyl film with acrylic adhesive

- Width 20mm
- Adhesion 500N/m
- Accelerated aging as per SAE J 1960

Option with white strips



Mechanical Characteristics	
Cable diameter	Ø18,5-24,5mm
Operating temperature	-50/+80°C
Color	red
Weight	4kg
Standards	
Standards compliance	ICAO annexe 14 chapter 6 (8th edition 07/2018), EASA (4th edition 2017)