

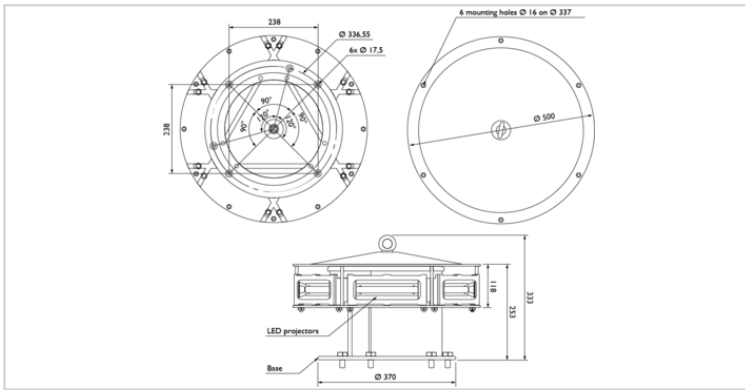
Dual color medium intensity type A and B (or C) 110-240VAC

1966535B1 & US 7816843

 Brevets: **EP**

110-240VAC flashhead including

- ✦ 6 led projectors in aluminium and glass
- ✦ 2 white led circuits and a red circuit inside each projector
- ✦ Simple installation with no losing parts when opening the flashhead
- ✦ led drivers inside a stainless enclosure located in flashhead
- ✦ Alarm contact in case of lamp failure or power supply failure
- ✦ Test button for day and night
- ✦ Luminous indicators for quick diagnostic
- ✦ type 2 surge protection

 Option **with GPS (day/night sync and/or flash sync)**


Caractéristiques Électriques	
Mains voltage	110VAC to 240VAC +/-10% 50/60Hz
Average power consumption	55W (day time), 8W (night mode)
Caractéristiques Mécaniques	
IP degree	IP66 per projector
Wiring	Entry of cable by glands nickel plated brass and connection by terminals
Operating temperature	-40/+55°C
Size of the light	333mm (height) x 500mm (diameter)
Weight	14kg for flashhead
Cable entry diameter	11 to 21mm
Wire cross section	from 1 to 4 mm ²
Attachment	6 mounting holes dia.16mm, dia.337mm circle
Caractéristiques photométriques	
Effective light output day time at 0° on site	20 000cd (white)
Effective light output twilight mode at 0° on site	20 000cd (white)
Effective light output night mode at 0° on site	2000cd (white)
Color day/twilight time	white
Color night time	Red
Vertical beam spread	>3°
Horizontal beam spread	360°
Flash per minute	20, 30, 40 or 60 flashes per minute
Normes	
Standards compliance	ICAO annexe 14 chapter 6 (7th edition 2016), EASA (4th edition 2017)