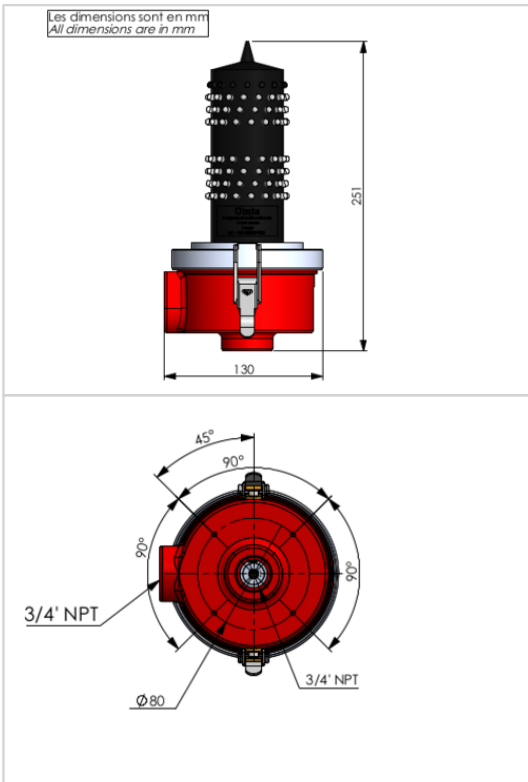


Red light FAA L-810 ETL FAA (AC 150/5345-43J) listed



- L-810(L) (F) type red fixed with IR emissions (or mimic with L-864 medium intensity)
- Light part fully molded with 8 levels of leds
- Redundant circuits for LED's
- Surge protection and alarm included
- 3/4" NPT threaded holes for mounting or stainless bracket
- monoblock design with no loose part during installation
- Flashing mode (F) activated with red only L-864 medium intensity P/N113790RI-240, P /N113756U & P/N113714U and dual color L-865/L-864 medium intensity P/N113725UI, P /N113715U & P/N113758U

Option with IR (visible with Night Vision Goggles as per FAA Advisor 150/5345-43J)



Electrical Characteristics	
Life time	~10 years
Main voltage	110VAC to 240VAC +/-10% 50/60Hz
Average wattage	8W (steady mode) or 2W (@ 30 fpm mimic with L-864)
Mechanical Characteristics	
IP degree	IP65 in vertical position
Wiring	Terminal connection (2 power wires and 2 for the alarm)
Operating temperature	-30/+60°C
Weight	1 kg
Wire cross section	from 1 to 2,5 mm ²
Attachment	2 NPT threaded holes
Photometric Characteristics	
Luminous intensity	> 35 Cd
Color night time	Red
Vertical beam spread	>10°
Horizontal beam spread	360°
Standards	
Standards compliance	ICAO annex 14 chapter 6, FAA (AC 150/5345-43J), EB-98, CARs
Certification	FAA (AC 150/5345-43J), ETL listed