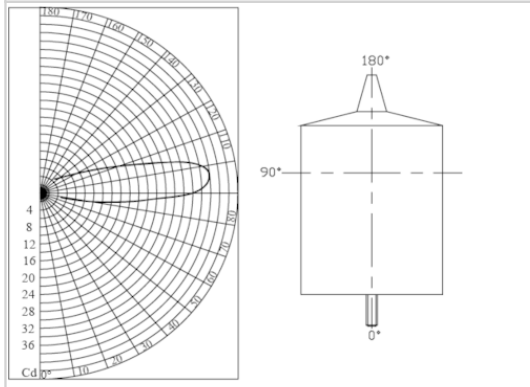
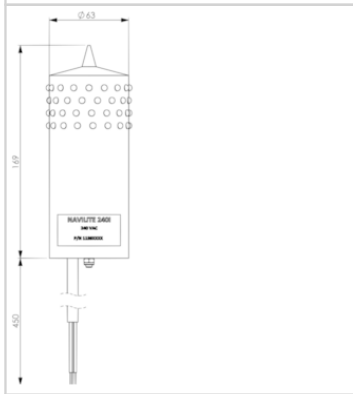
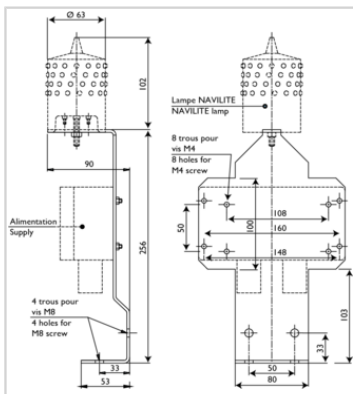


Red fixed low intensity



- Completely molded and perfectly waterproof
- Bird spike
- Total 64 leds wired 4 by 4 in active redundancy
- 110-240VAC power supply and surge protected with common mode

The NAVILITE-240I and its stainless bracket P/N113920 for vertical or horizontal installation should be ordered separately



Electrical Characteristics	
Wattage	6 W
Current drawn	70 mA
Life time	~10 years
Main voltage	110VAC to 240VAC +/-10% 50/60Hz
Mechanical Characteristics	
IP degree	IP66
Wiring	On stripped wires 3x1,5mm <sup>2</sup> (2 power wires, 1 ground wire)
Operating temperature	-30/+60°C
Size of the light	Ø x h :63 x 169 (mm)
Weight	950 g
Attachment	1 screw M5 provided
Photometric Characteristics	
Luminous intensity	> 32cd
Color night time	Red fixed
Vertical beam spread	>10°
Horizontal beam spread	360°
Standards	
Standards compliance	ICAO annexe 14 chapter 6 (8th edition 07/2018), EASA (4th edition 2017)