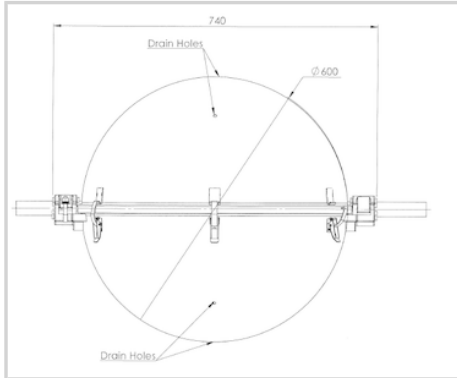


The obsta spherical markers are compliant with International Civil Aviation Organisation (ICAO) annex 14 chapter 6 recommendations.



- overall diameter 600mm
- material: aluminium
- Designed for high voltage cable up to 400KV
- No losing parts and easy installation with only 2 screws and draw latches



| Mechanical Characteristics | |
|----------------------------|--------------|
| Cable diameter | ø36,7-40,1mm |
| Color | White |