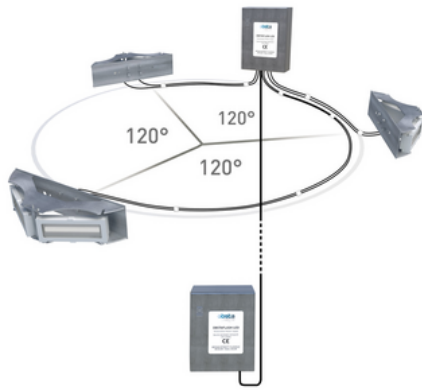


White medium intensity system FAA L-865 ETL certified



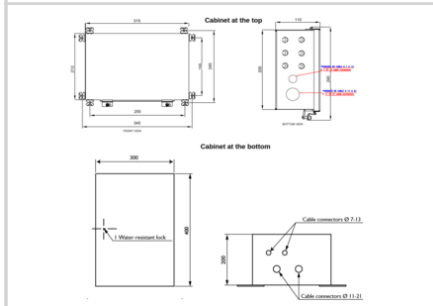
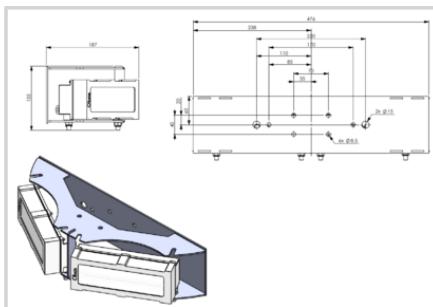
3 flashheads OFP-120-RW-10L-U with :

- 2 led projectors IP66
- Aluminium and glass envelope
- Vertical stainless support

Power supply :

- Stainless enclosure with interlock switch and cable entry at the bottom
- Surge protection included
- Alarm relay in case of projector failure or power supply failure
- Test button with auto/day/night modes
- 8 led indicators for easy diagnostic

Patents: EP3230651, FR1462349, Pat. 10,247,386



Electrical Characteristics	
Main voltage	110VAC to 240VAC +/-10% 50/60Hz
Average wattage	55W (day time), 8W (night mode)
Mechanical Characteristics	
Wiring	For each projector, 10 meters of molded cable with connector For power supply, 1 plug per projector + entry of power & signal cable by glands nickel plated brass and connection by terminals
Operating temperature	-40/+55°C
Size of the light	120mm (height) x 480mm (width)
Size of the power supply	400mm (height) x 300mm (width) x 200mm (dept)
Weight	3,5kg
Photometric Characteristics	
Effective light output day time at 0° on site	20 000cd (white)
Effective light output twilight mode at 0° on site	20 000cd (white)
Effective light output night mode at 0° on site	2000cd (white)
Color day/twilight time	white
Color night time	White
Vertical beam spread	>3°
Horizontal beam spread	360° with minimum 3 flashheads fixed at 120° around the obstacle
Flash per minute	40
Standards	
Standards compliance	ICAO annex 14 chapter 6, FAA (AC 150/5345-43J), UK MOD, Transport Canada
Certification	FAA (AC 150/5345-43J), ETL listed, DGAC(Fr)