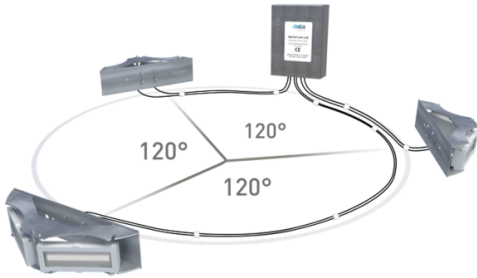


Obstruction lighting systems including 3 OBSTAF120 dual color medium intensity. Comply with ICAO medium intensity dual color type A and B, FAA L-864/L-865



EP3230651, FR1462349, Pat. 10,247,386

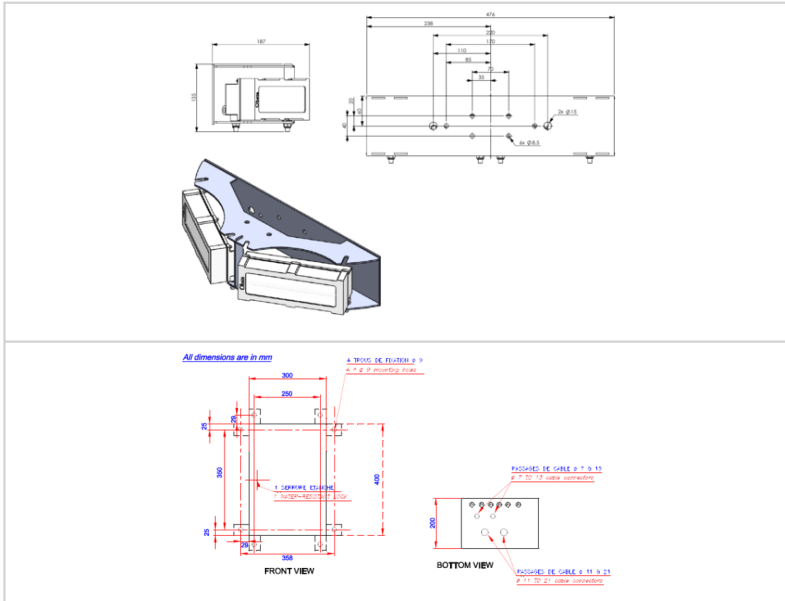
Brevets:

3 flashheads OFP-120-RW-JB-U with :

- ✦ 2 led projectors IP66
- ✦ Aluminium and glass envelope
- ✦ Vertical stainless support

A power supply :

- ✦ Stainless enclosure with interlock switch and cable entry at the bottom
- ✦ Surge protection included
- ✦ Alarm relay in case of projector failure or power supply failure
- ✦ Test button with auto/day/night modes
- ✦ 8 led indicators for easy diagnostic
- ✦ Possibility to connect intermediate red lights operating at night only



Caractéristiques Électriques	
Mains voltage	110VAC to 240VAC +/-10% 50/60Hz
Average power consumption	55W (day time), 8W (night mode)
Caractéristiques Mécaniques	
Wiring	For each projector, 10 meters of molded cable with connector For power supply, 1 plug per projector + entry of power & signal cable by glands nickel p...
Operating temperature	-40/+55°C
Size of the light	120mm (height) x 480mm (width)
Size of the power supply	400mm (height) x 300mm (width) x 200mm (dept)
Weight	4kg
Caractéristiques photométriques	
Effective light output day time at 0° on site	20 000cd (white)
Effective light output twilight mode at 0° on site	20 000cd (white)
Effective light output night mode at 0° on site	2000cd (red)
Color day/twilight time	white
Color night time	Red
Vertical beam spread	>3°
Horizontal beam spread	360° with minimum 3 flashheads fixed at 120° around the obstacle
Flash per minute	40/30 as per FAA
Normes	
Standards compliance	ICAO annex 14 chapter 6, FAA (AC 150/5345-43H), EASA, DGAC, CAA (CAP 168)
Certification	FAA (AC 150/5345-43H)