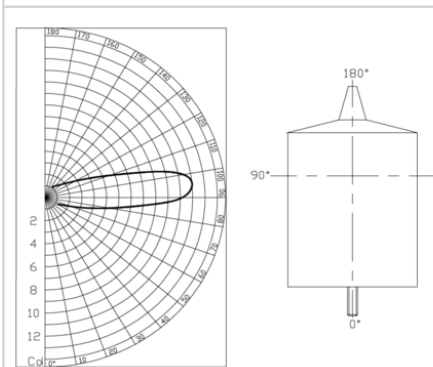
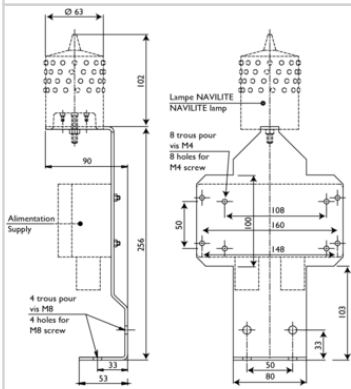
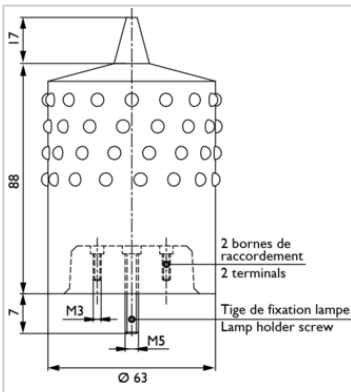


Led low intensity type A



- Completely molded and perfectly waterproof
- Bird spike
- No grounding issue, class II
- Total 64 leds wired in 16 independant circuits of 4 leds each
- Very compact and very low weight

The stainless bracket P/N113920 should be ordered separately



Electrical Characteristics	
Wattage	3W
Current drawn	250 mA
Life time	~10 years
Main voltage	12VDC (-10%; +15%)
Mechanical Characteristics	
IP degree	IP66
Wiring	Terminal connection by 2 pods
Operating temperature	-40/+55°C
Size of the light	112mm (height) x 63mm (over diameter)
Weight	370g
Attachment	1 screw M5 provided
Photometric Characteristics	
Luminous intensity	> 10 Cd
Color night time	Red fixed
Vertical beam spread	>10°
Horizontal beam spread	360°
Standards	
Standards compliance	ICAO annexe 14 chapter 6 (8th edition 07/2018), EASA (4th edition 2017)