

Red OBSTAFLASH medium intensity NVG compatible (infrared night vision goggles) and FAA L-864 certified



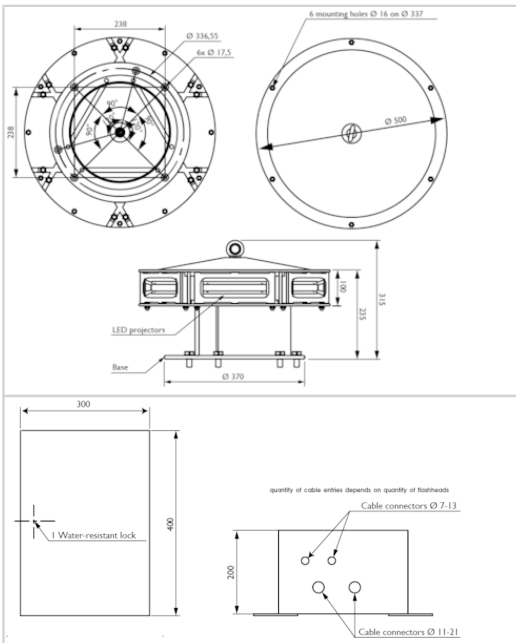
Patents: EP 1966535B1 & US 7816843

Flashhead

- 6 led projectors
- Aluminium and glass envelope
- Easy maintenance on the flashhead
- Led driver and control electronic in the power cabinet
- Also available with both visible and infrared leds compatible NVG

Power supply

- 'Weather tight' stainless steel 316L power cabinet enclosure
- 1 luminous indicator for each flashhead and for the power supply
- Test button for night
- Alarm dry contact NC and NO
- Master/slave configuration for multiple lights synchronisation
- To be used with photocell 48Vdc P/N100755
- Optional side lights L-810(L) (F) NAVILITE-IR-FAA-120-240V P/N 113969IR for mid level



Electrical Characteristics	
Main voltage	110VAC to 240VAC +/-10% 50/60Hz
Average wattage	8W (night time only @ 30fl per minute)
Mechanical Characteristics	
IP degree	IP66 per projector
Wiring	Entry of cable by glands nickel plated brass and connection by terminals
Operating temperature	-40/+55°C
Size of the light	315mm (height) x 500mm (diameter)
Size of the power supply	400mm (height) x 300mm (width) x 200mm (dept)
Weight	14kg for flashhead, 10kg for power cabinet
Wire cross section	from 1 to 4 mm ²
Attachment	6 mounting holes dia.16mm, dia.337mm circle
Photometric Characteristics	
Effective light output night mode at 0° on site	2000cd (red)
Color night time	Red
Vertical beam spread	> 3°
Horizontal beam spread	360°
Flash per minute	30
Standards	
Standards compliance	ICAO annex 14 chapter 6, FAA (AC 150/5345-43J), EB-98, CARs
Certification	FAA (AC 150/5345-43J), ETL listed