

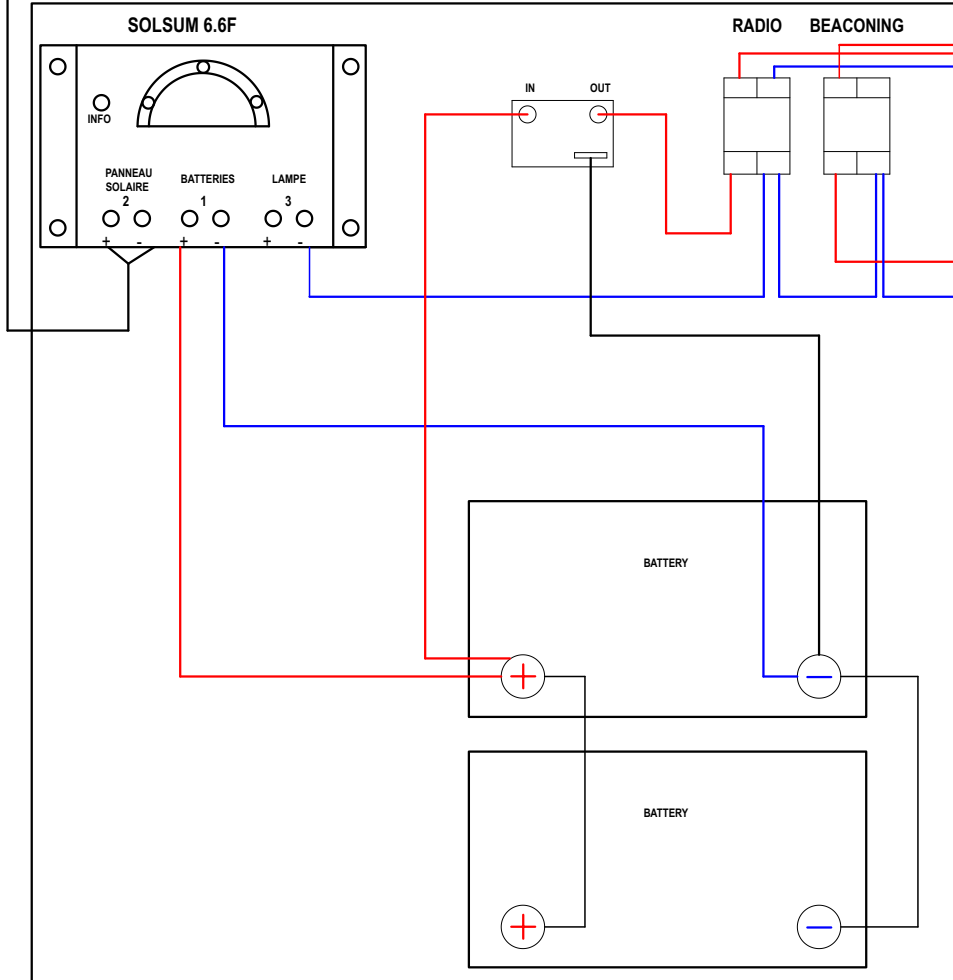
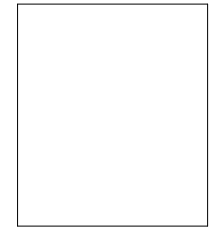
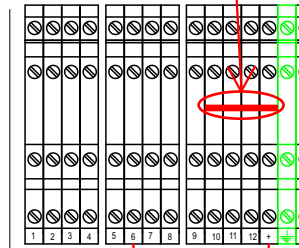
Solar Station

SOLAR STATION / RADIO COMMAND

SOLAR STATION	RADIO COMMAND
Radio +12Vdc	+
Radio -12Vdc	-
Beaconing	6

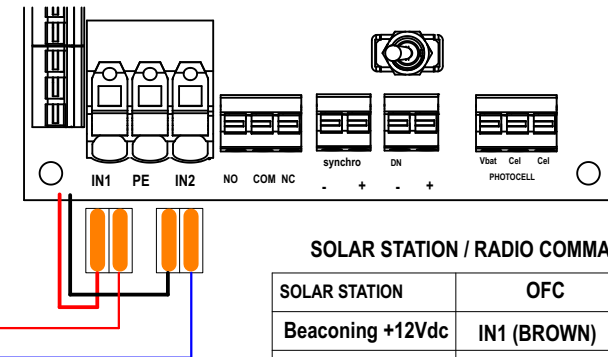
RADIO COMMAND

Attention : Déplacer la barette de connexion sur les bornes 10, 11, 12 et +



RADIO BEACONING

OFC-RR-SOL-G
P/N: 113790RR-SOL-G



SOLAR STATION / RADIO COMMAND

SOLAR STATION	OFC
Beaconing +12Vdc	IN1 (BROWN)
Beaconing -12Vdc	IN2 (BLUE)

IND/REV	DATE	NATURE DE LA MODIFICATION / MODIFICATION	
OBSTA Reims Factory 3, Impasse de la Blanchisserie BP 56 51052 REIMS CEDEX (France) Tel. 03.26.85.74.00		Typical lighting System Installation	
CODE:		PLAN: O-CUS-00501-OFC	
ECHELLE: SCALE:		MATIERE: MATERIAL:	
ANNULE ET REMPLACE CANCELED AND REPLACED			
REPERE DESSIN REFERENCE DRAWING:	DESSINE PAR: DESIGNED BY:	DATE:	VERIFIE PAR: CHECKED BY:
	B.SIOZAC	08/09/2023	APPROUVE PAR: APPROVED BY:
			H.BURGAUD
			DATE:
			08/09/2023
			VISIA: