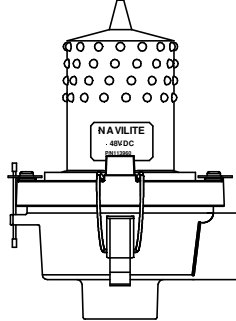


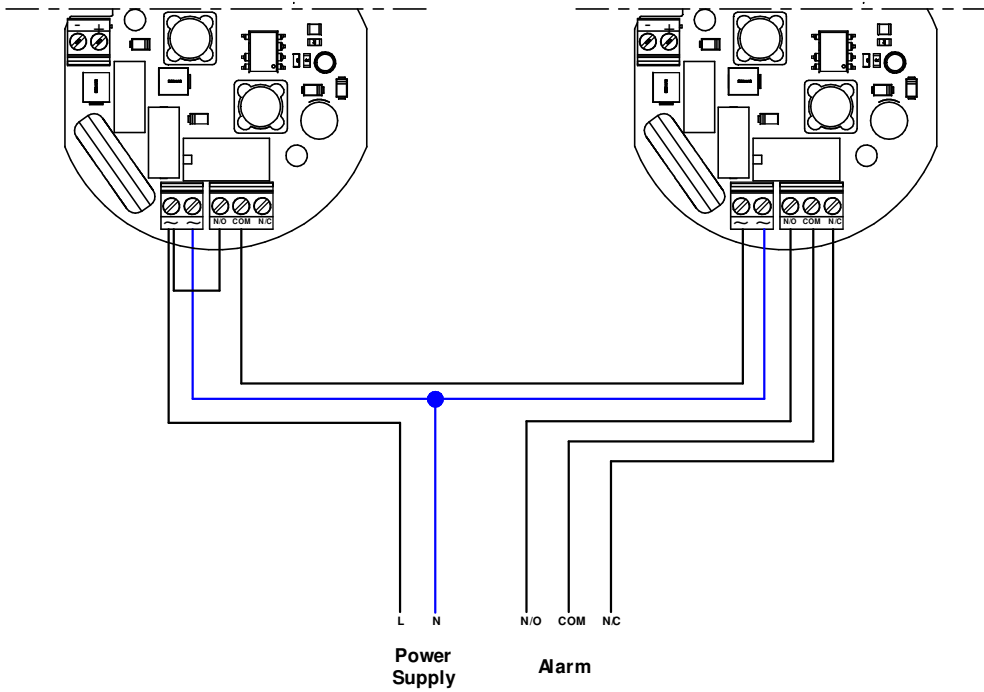
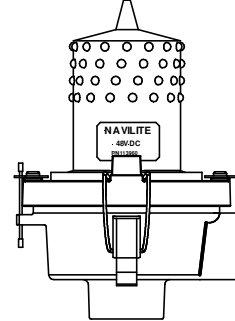
NAVILITE-FAA-120-240V
P/N: 113969

NAVILITE-FAA-120-240V
P/N: 113969

Main lamp



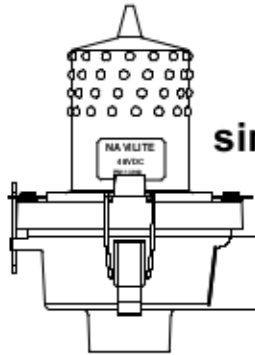
Back-up lamp



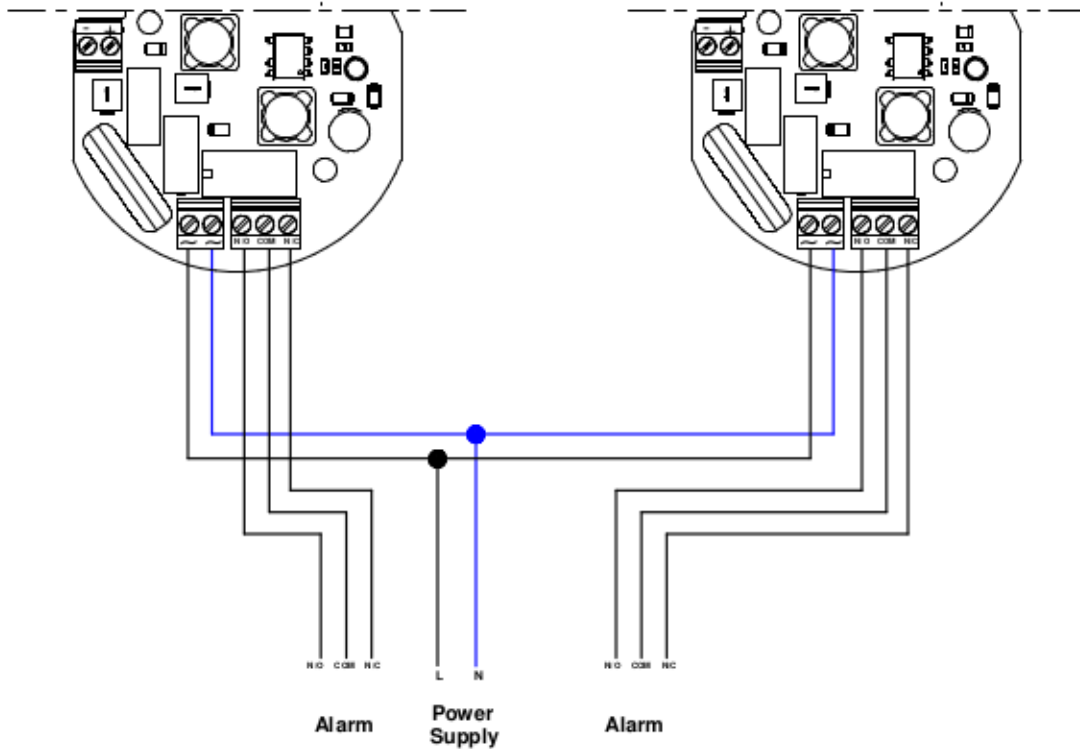
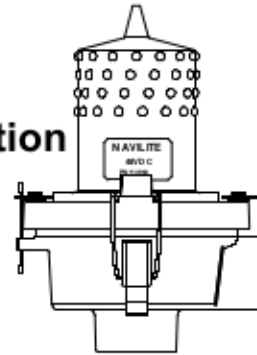
IND/REV	DATE	NATURE DE LA MODIFICATION / MODIFICATION					
OBSTA Reims Factory		Typical lighting System Installation					
3, Impasse de la Blanchisserie BP 56 51052 REIMS CEDEX (France) Tel. 03.26.85.74.00		CODE:			PLAN: DRAWING: O-CUS-360-NAV		A
		ECHELLE: SCALE:		MATIERE: MATERIAL:		ANNULE ET REMPLACE CANCELED AND REPLACED	
REPÈRE DESSIN REFERENCE DRAWING:		DESSINÉ PAR: DESIGNED BY:		DATE:		APPROUVÉ PAR: APPROVED BY:	
.DWG		R.PELLEGRINO		24/10/22		H.BURGAUD	
						24/10/22	
						VISA:	

NAVILITE-FAA-120-240V
P/N: 113969

NAVILITE-FAA-120-240V
P/N: 113969



simultaneous operation



Ce document est la propriété d'OBSTA. Il ne peut être reproduit ou communiqué à des tiers sans son autorisation. This drawing covers the property of OBSTA. It is document cannot be reproduced, copied or communicated with third parties without the authorization of OBSTA.

IND/REV	DATE	NATURE DE LA MODIFICATION / MODIFICATION					
OBSTA Reims Factory		Typical lighting System Installation					
3, Impasse de la Blanchisserie BP 56 51052 REIMS CEDEX (France) Tel. 03.26.85.74.00		CODE:			PLAN: DRAWING: O-CUS-361-NAV		A
		ECHELLE: SCALE:		MATIERE: MATERIAL:		ANNULE ET REMPLACE CANCELED AND REPLACED	
REPÈRE DESSIN REFERENCE DRAWING:	DESSINÉ PAR DESIGNED BY:	DATE:			APPROUVÉ PAR: APPROVED BY:	DATE:	VISA:
.DWG	R.PELLEGRINO	24/10/22			H.BURGAUD	24/10/22	