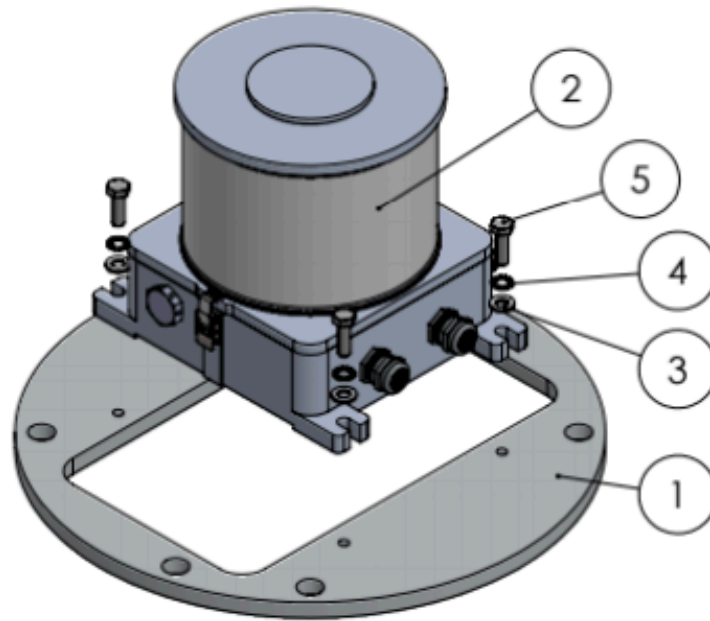
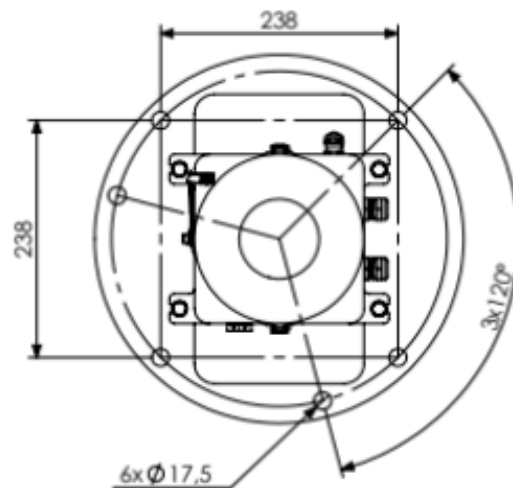
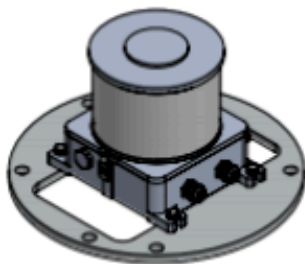


Les dimensions sont en mm
All dimensions are in mm



REP	DESIGNATION	MATIERE MATERIAL	QTE QTY
1	Adaptateur/Adapter	Alu	1
2	Balise OFC/OFC		1
3	Rondelle éventail M8/M8 Serrated lock washer	A4	4
4	Rondelle plate M8/M8 Plain washer	A4	4
5	Vis TH M8x28/M8x28 Hexa head screw	A4	4



A	06/06/22	T MÉLINE	CREATION	A ROYER
IND/REV	DATE	DESSINE PAR: DESIGNED BY:	NATURE DES MODIFICATIONS/MODIFICATIONS	APPROUVE PAR: APPROVED BY:
 Usine de Reims 3, Impasse de la blanchisserie BP 56 51052 REIMS Cedex - France Tel. +33 (0) 326 857 400		Adaptateur OFC OFC adapter		IND/REV FOLIO: PAGE: A 1/1
 NUMERO DE PROJET: PROJECT NUMBER: BS0001		TOLERANCES: TOLERANCES: . ECHELLE: SCALE: 1:3	MATIERE: MATERIAL: - FINITION: FINISH: -	ANNULE ET REMPLACE: CANCELED AND REPLACED: -