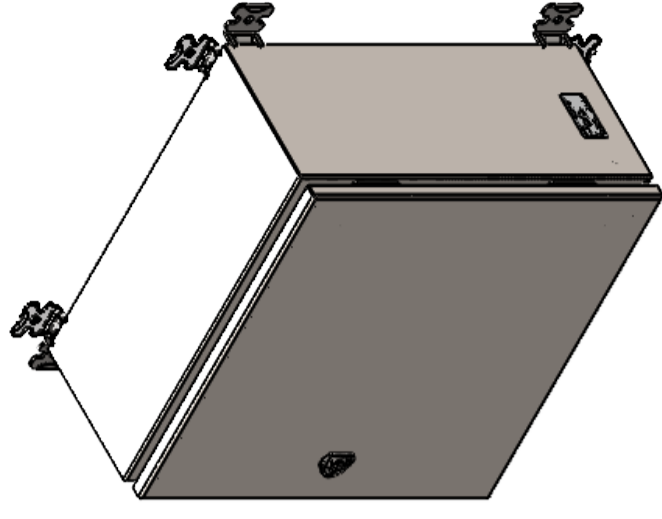
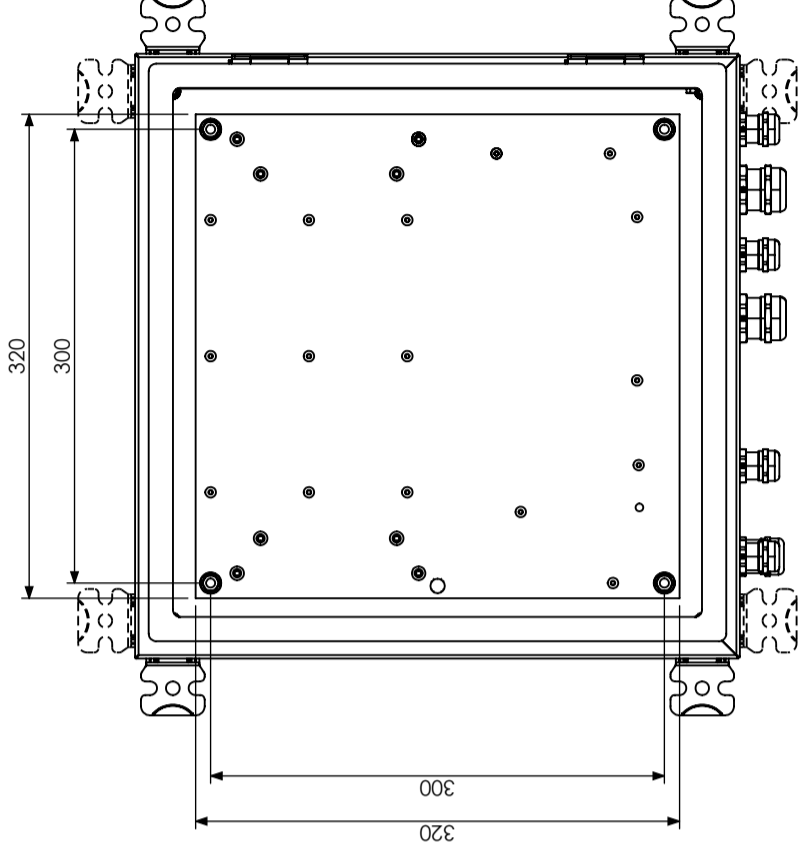
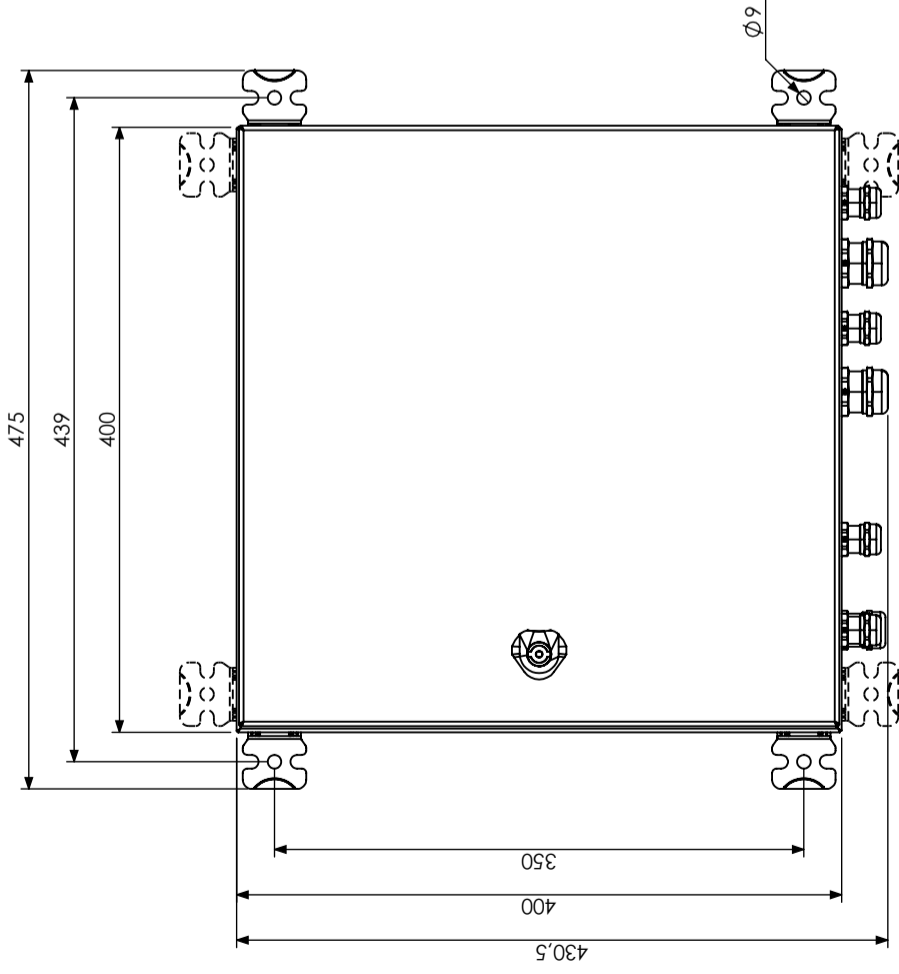
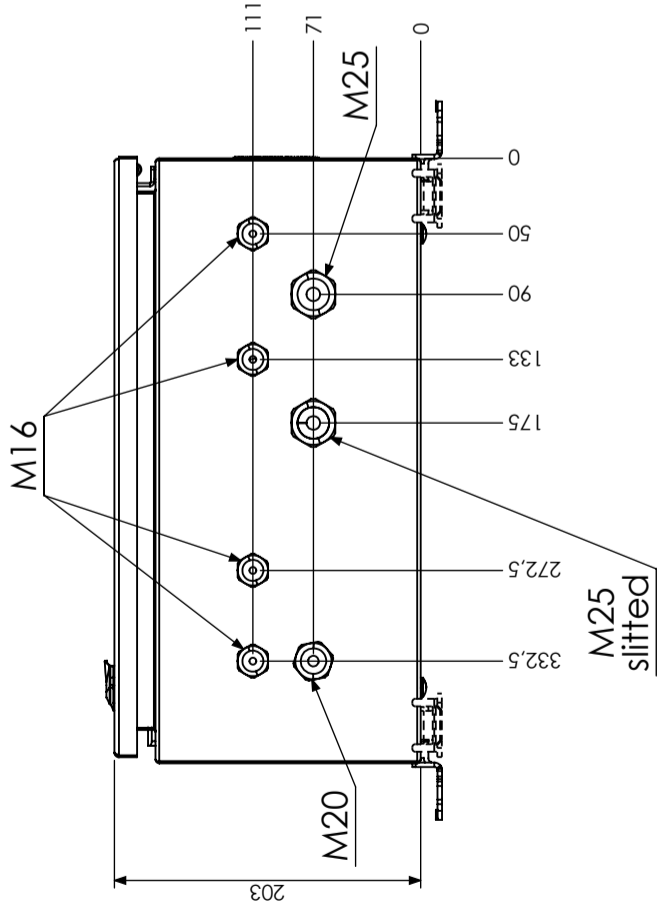


Les dimensions sont en mm
All dimensions are in mm



GLAND SIZE	SEALING RANGE
M16	Ø4mm - Ø9.5mm
M20	Ø7mm - 13mm
M25	Ø8mm - 16mm
M25 slitted	Ø5mm - 8mm

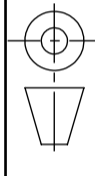
A	11/01/23	T Oudin	CREATION	A ROYER
IND/REV	DATE	DESINE PAR: DESIGNED BY:	NATURE DES MODIFICATIONS/MODIFICATIONS	APPROUVE PAR: APPROVED BY:
		<p>Usine de Reims 3 Impasse de la Blanchisserie BP 56 51052 REIMS Cedex - France Tel.: +33 (0) 326 857 400</p>		
		<p>NUMERO DE PROJET: PROJECT NUMBER: PR2005</p>		
		<p>TOLERANCES: TOLERANCES: - MATERIE: MATERIAL: Inox 316L FINITION: FINISH: 316L Stainless Steel</p>		
		<p>ECHELLE: SCALE: 1:1</p>		
<p>PLAN: DRAWING: O-CUS-00397-0FP</p>		<p>ANNULE ET REMPLACE: CANCELED AND REPLACED:</p>		
<p>IND/REV</p>		<p>FOLIO: PAGE</p>		<p>A 1/1</p>

Controlleur OFF
OFF Controller

CODE:

PLAN:
DRAWING: **O-CUS-00397-0FP**

IND/REV
PAGE



NUMERO DE PROJET:
PROJECT NUMBER:
PR2005

TOLERANCES:
TOLERANCES: -
MATERIE:
MATERIAL: Inox 316L
FINITION:
FINISH: 316L Stainless Steel

ANNULE ET REMPLACE:
CANCELED AND REPLACED:

IND/REV
PAGE