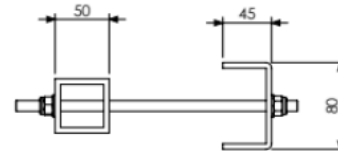
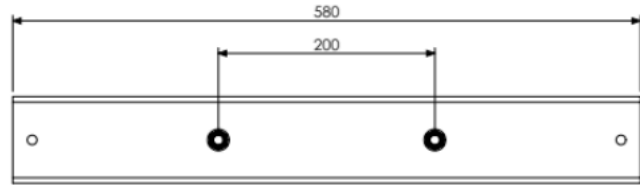
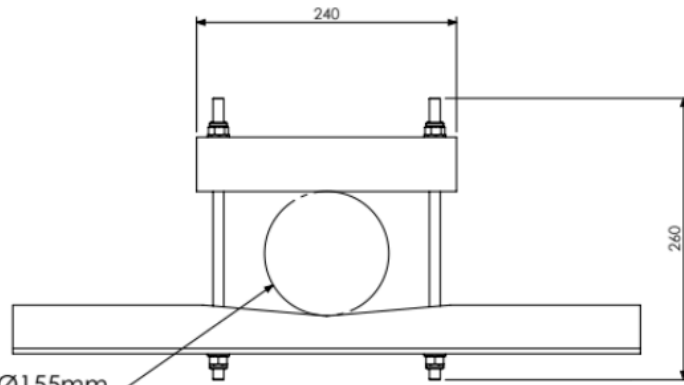
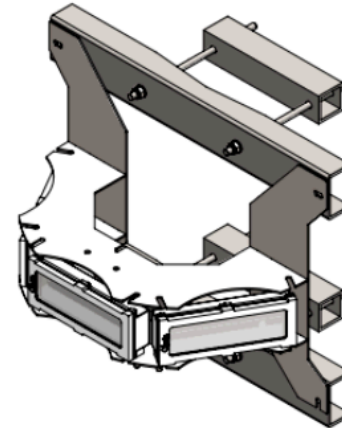
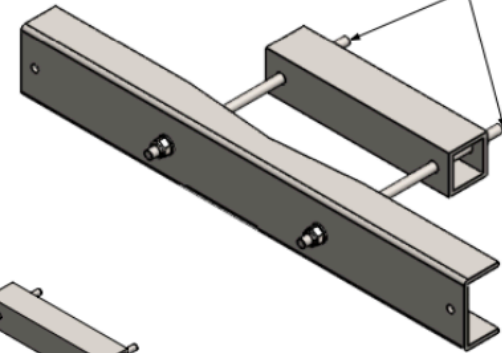




Les dimensions sont en mm
All dimensions are in mm



Tige filetée
M10x260



De Ø80 à Ø155mm

A	24/11/22	T Oudin	CREATION	A ROYER
IND/REV	DATE	DESSINE PAR: DESIGNED BY:	NATURE DES MODIFICATIONS/MODIFICATIONS	APPROUVE PAR: APPROVED BY:
		Potence support OFP180° OFP180° support bracket		
Usine de Reims 3, Impasse de la blanchisserie BP 93 51052 REIMS Cedex - France Tel. +33 (0) 326 857 400		CODE:	PLAN: DRAWING: O-CUS-00377-POT	IND/REV PAGE: A 1/1
		NUMERO DE PROJET: PROJECT NUMBER: BS0001	TOLERANCES: TOLERANCES: - ECHELLE: SCALE: 1:5	MATIERE: MATERIAL: - FINITION: FINISH: -
		ANNULE ET REMPLACE: CANCELED AND REPLACED:		