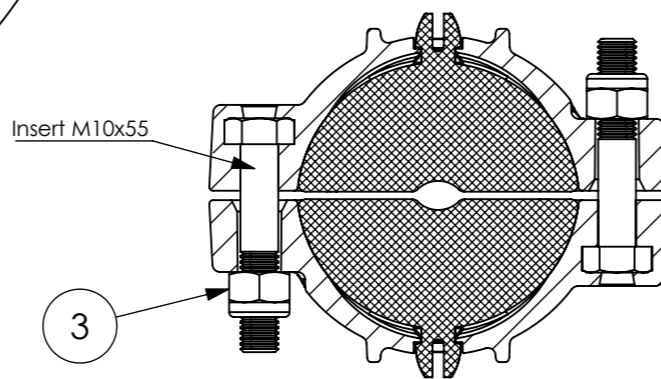
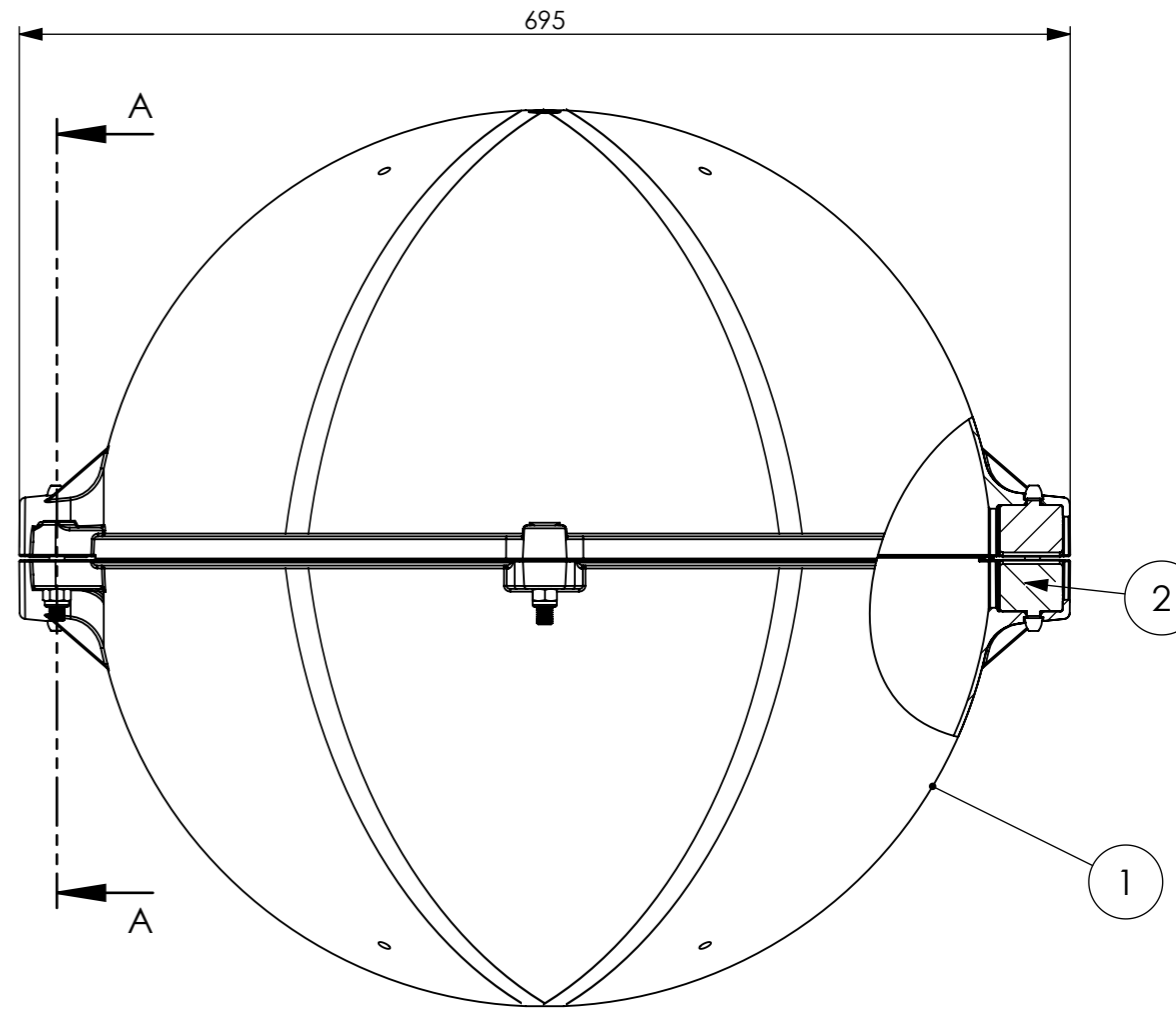
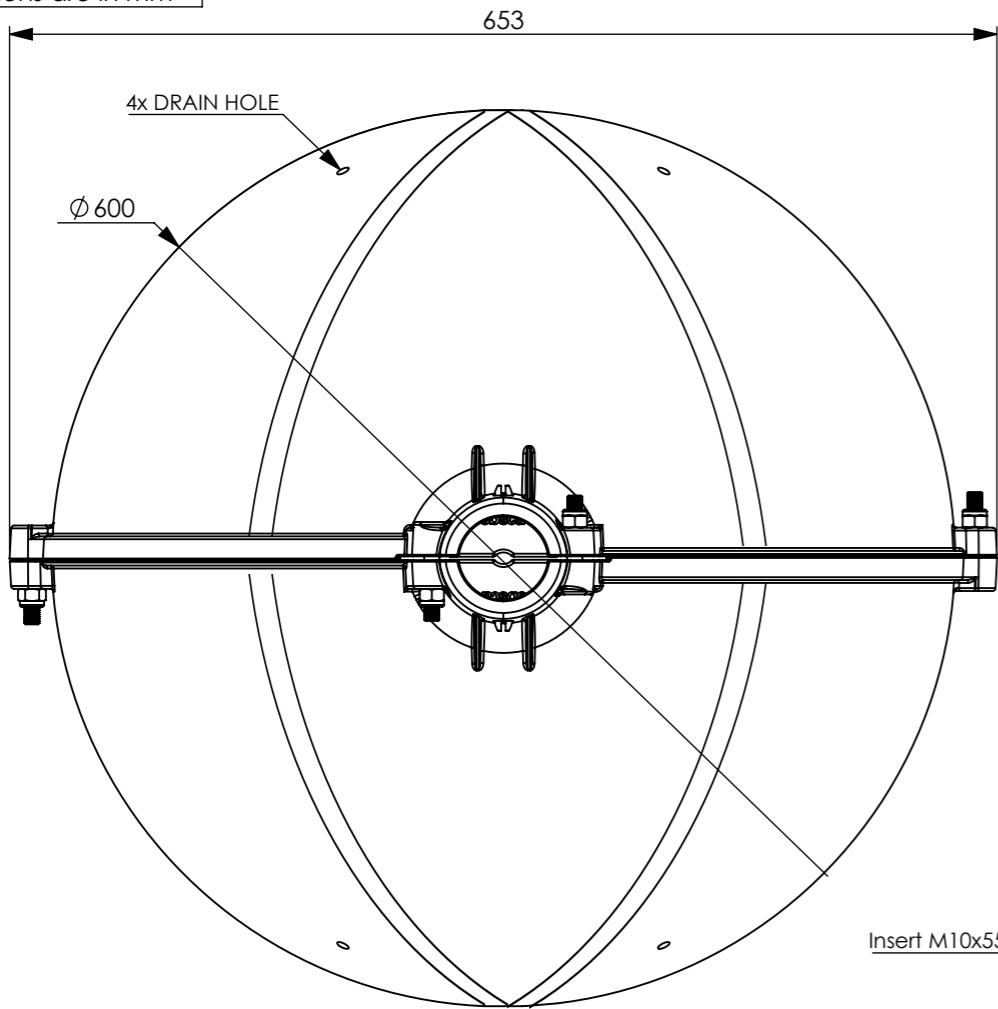


Les dimensions sont en mm
All dimensions are in mm



COUPE A-A
ECHELLE 1 : 2

Aviation color available for 1/2 sphere :

- White
- Red
- Orange

The warning spheres can be installed on ground cable or on OPGW with armor rod Torque 15 N.m.

Max weight : 4kg per system

REP	JAW	Ø CABLE
A		6,5 - 12,5
B		12,5 - 18,5
C		18,5 - 24,5
D		24,5 - 30,5
E		30,5 - 36,5
F		36,5 - 42,5

Rep	Désignation	Description	Matière	Material	Qty
3	ECROU FREIN M10	LOCK NUT M10	INOX A4	STAINLESS STEEL	6
2	1/2 MACHOIRE	1/2 JAW	EPDM	EPDM	4
1	1/2 SPHERE	1/2 SPHERE	PLASTIQUE	PLASTIC	2

A	15/06/2021	JP	CREATION	A
IND/REV	DATE	DESSINE PAR: DESIGNED BY:	NATURE DES MODIFICATIONS/MODIFICATIONS	APPROUVE PAR: APPROVED BY:
AIRCRAFT WARNING SPHERE WITH STRIPS				
CODE: TBC		PLAN: DRAWING: Commercial		IND/REV PAGE: B 1/1
NUMERO DE PROJET: PROJECT NUMBER: TBC		TOLERANCES: TOLERANCES: ECHELLE: SCALE: 1:5	MATIERE: MATERIAL: FINITION: FINISH: -	ANNULE ET REMPLACE: CANCELED AND REPLACED: -

This drawing is the property of OBSTA. This document cannot be reproduced, copied or communicated with third parties without the authorization of OBSTA. Ce document est la propriété d'OBSTA. Il ne peut être reproduit ou communiqué à des tiers sans l'autorisation écrite d'OBSTA.