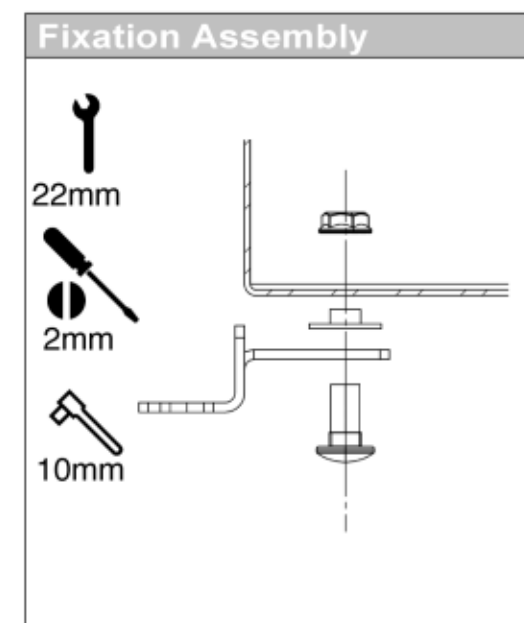
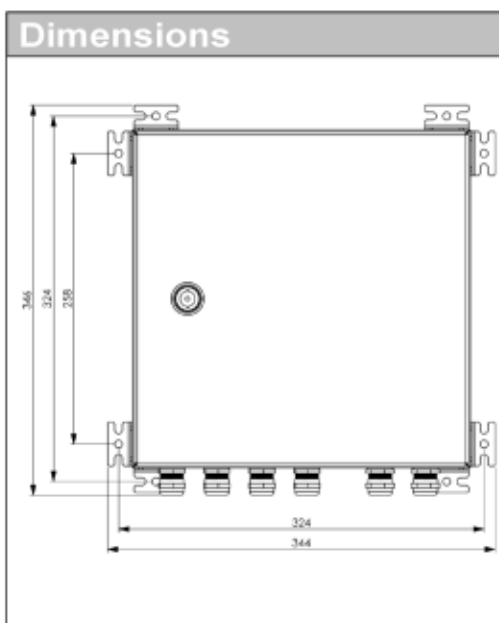


Technical Data		P/N	
OFC-CTR		113176-048	113176-240
Input Voltage	48Vdc 120 -240Vac	•	•
Consumption	Max 10W (Controller only)	•	•
Cable size	- Ø 7 to 13mm	•	•
Wire connexion	- Input : Up to 6mm <sup>2</sup> - Other : Up to 2.5 mm <sup>2</sup> (1)	•	•
Fixation	- 4x hole Ø 6mm	•	•
Alarm	- One per Lamp - System Power - Luminosity Detection (2)	•	•
Light available	OFC (3) OFI360 (240Vac Only)	6	8
		-	5



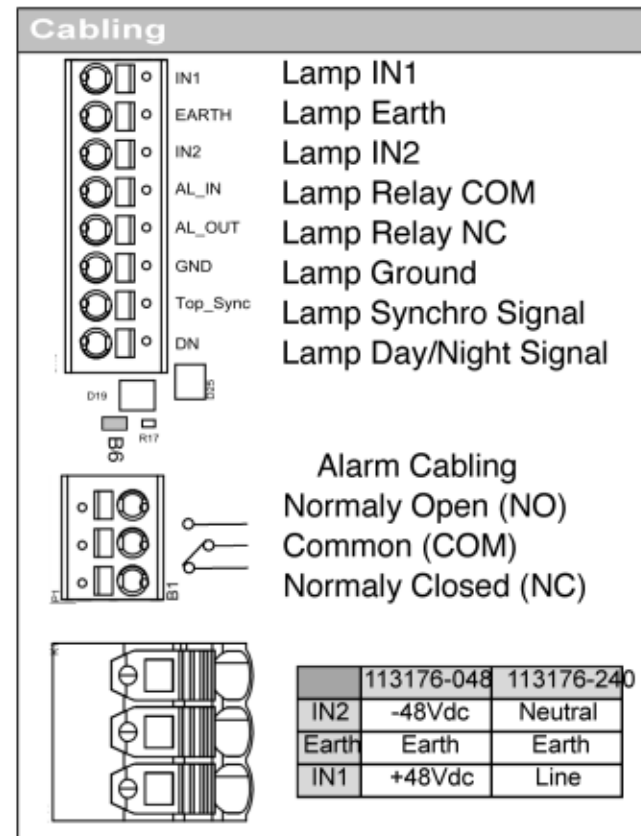
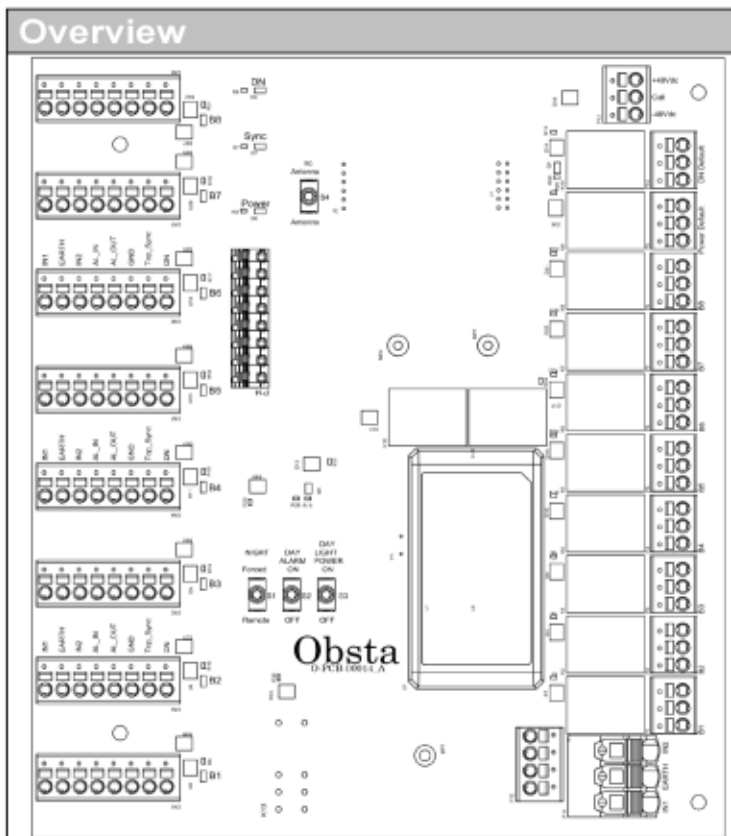
### Switches

	S1	S2	S3	S4
ON	Night Mode Forced	Lamp default enabled during day	Power is on during day	Signal or antenna Ignored
OFF	Night Mode Automated	Lamp default disabled during day	Power is off during day	Signal or antenna required

### Leds

DN R6	On during night	B1 Indicator at each Lamp On when light is ok
Sync R7	Blink at each flash	
Power R3	Power supply status	

(1) - Only with cable end of 8mm length  
 (2) - Only with GPS option  
 (3) - OFC & OFC-CTR must be the same working voltage



SAFETY INSTRUCTIONS  
 CONSIGNES DE SÉCURITÉ  
 SICHERHEITSHINWEISE  
 ADVERTENCIA DE SEGURIDAD  
 AVVERTENZE IMPORTANTI  
 AVISOS IMPORTANTES  
 МЕРЫ БЕЗОПАСНОСТИ  
 BEZPEČNOSTNÍ POKYNY  
 安全告知

This document could be modified without notice.  
 Updated Information on Website.  
 Ce document peut être modifié sans préavis.  
 Informations à jour sur site web.

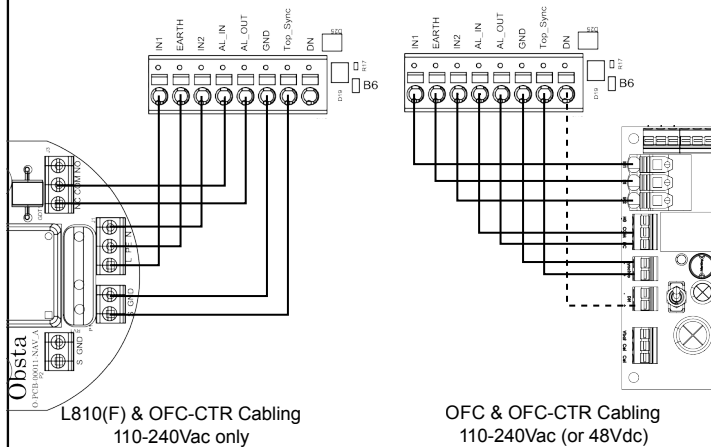
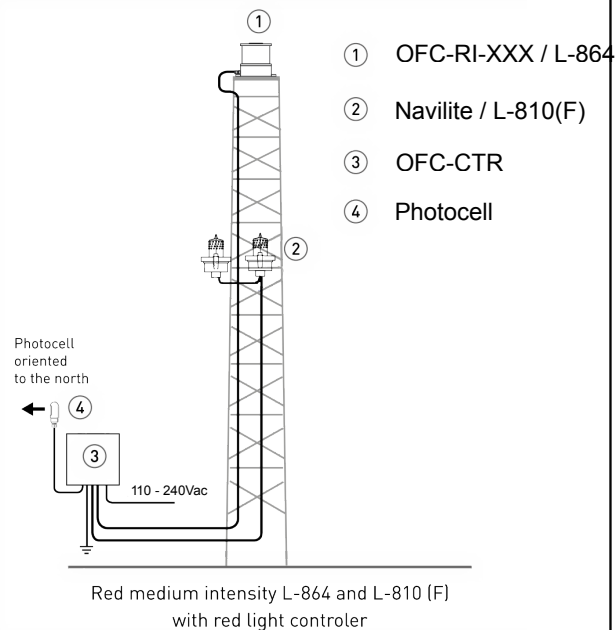
Änderungen am Dokument ohne Ankündigung möglich.  
 Aktuelle Informationen finden Sie auf unserer Webseite.  
 Este documento puede ser modificado sin previo aviso.  
 Información actualizada en el sitio web.  
 Questo documento può essere modificato senza preavviso.  
 Informazioni attualizzate disponibili sul sito web.  
 Este documento pode ser modificado sem aviso prévio.  
 Informação atualizada no website.  
 В документ могут вноситься изменения.  
 Актуальную информацию смотрите на нашей WEB-странице.  
 Změny v tomto dokumentu jsou možné bez předchozího upozornění.  
 Aktuální informace najdete na naší webové stránce.  
 本文件的修改恕不另行通知。

www.obsta.fr  
 www.obsta.de  
 www.obsta.us  
 www.obsta.com  
 www.obsta.ru

2, rue Troyon 92316 Sèvres CEDEX France



Typical Application - FAA

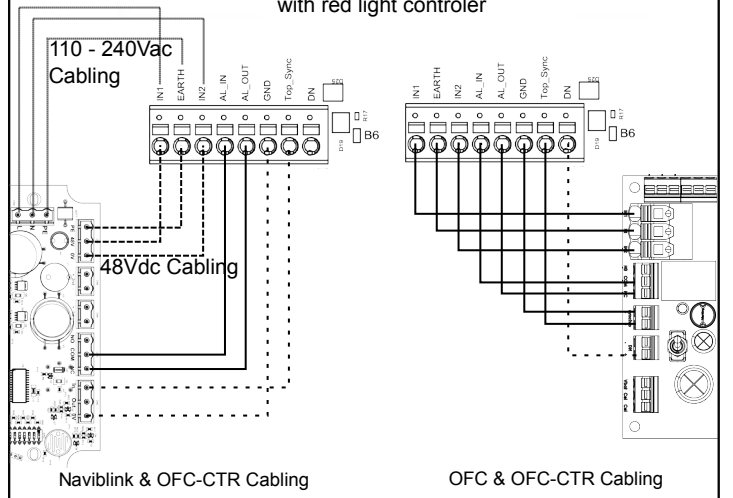
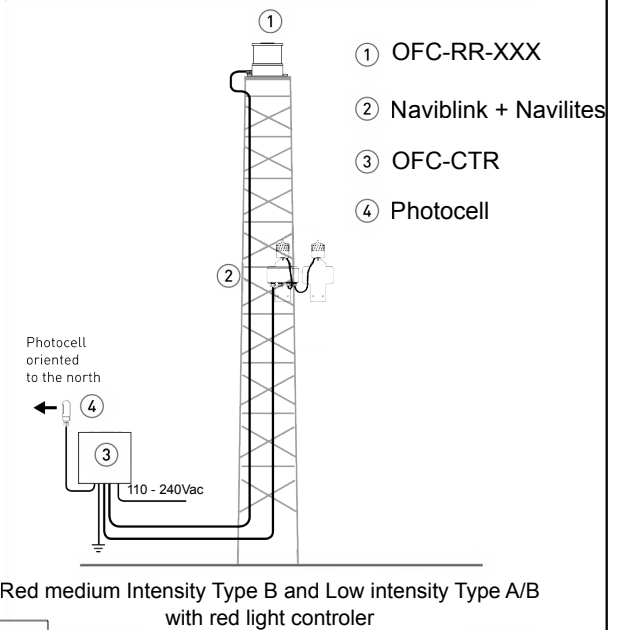


ATTENTION !

EN

- Installation must be performed only by electrically skilled operator
- National electrical installation rules must be respected
- For installation with high electromagnetic fields, the power supply cable must be shielded.
- When installed on a chimney, the Navilite must be installed below the aperture so that the smokes will not mask the light (ICAO annex 14 chapter 6 recommendations)
- The ambient temperature must be lower than 55°C when working

Typical Application - ICAO

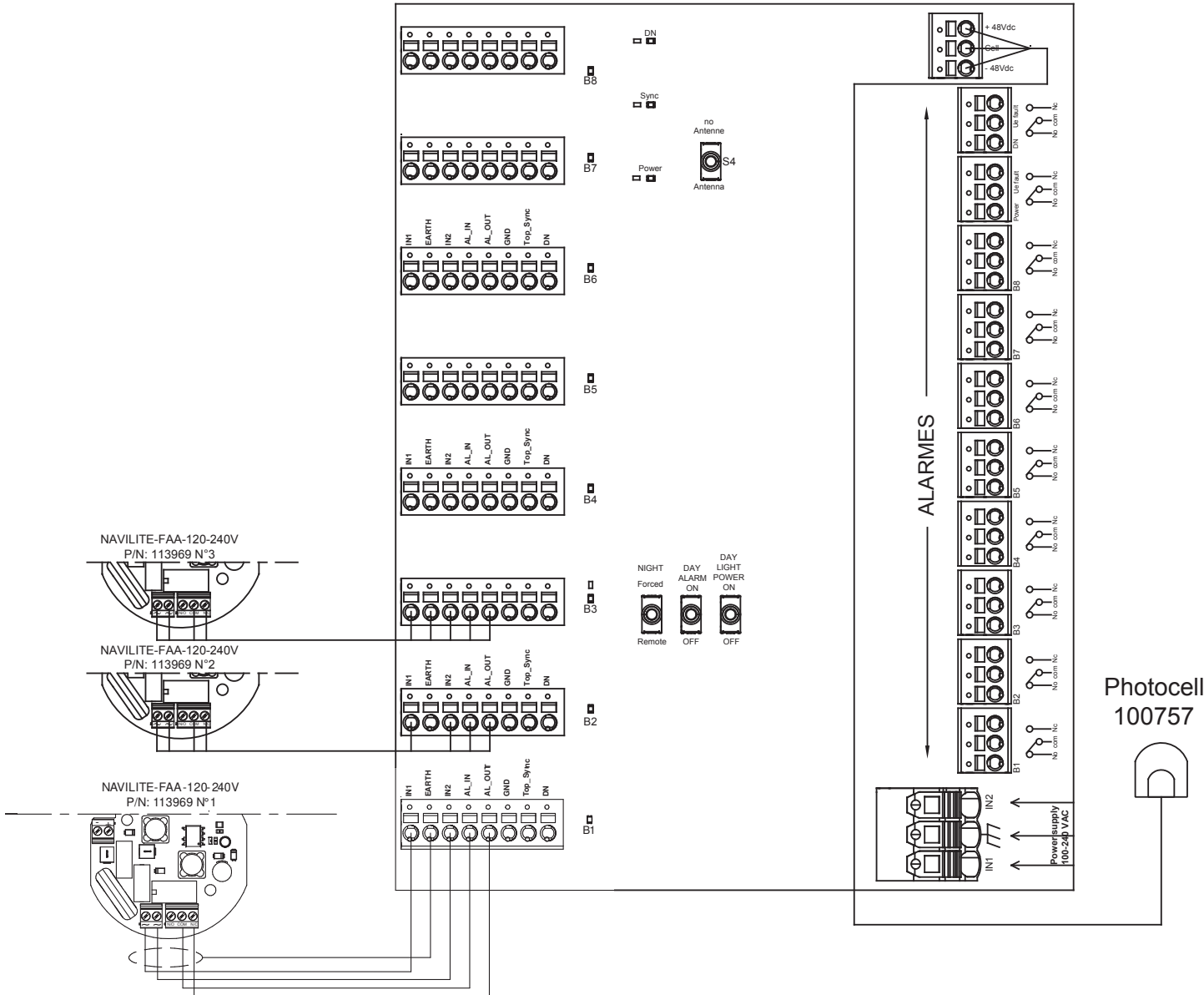


ATTENTION !

FR

- L'installation doit être effectuée uniquement par un opérateur qualifié en électricité
- Les normes nationales d'installation électriques doivent être respectées
- En présence de champs électromagnétiques forts, le câble doit être blindé et son blindage accordé à la terre.
- Lorsque la lampe est installée sur une cheminée, la fixer impérativement en dessous de son sommet en évitant que la fumée ne masque le feu (recommandations de l'annexe 14 de l'OACI).
- La température ambiante dans laquelle se trouve la Navilite ne doit pas dépasser 55°C en fonctionnement.

OFC-CTR-240  
PN: 113176-240



OFC-CTR-240 B1	NAVILITE N°1
IN1	IN1
IN2	IN2
AL_IN	COM
AL_OUT	NC

OFC-CTR-240 B2	NAVILITE N°2
IN1	IN1
IN2	IN2
AL_IN	COM
AL_OUT	NC

OFC-CTR-240 B3	NAVILITE N°3
IN1	IN1
IN2	IN2
AL_IN	COM
AL_OUT	NC

100757/113176-240

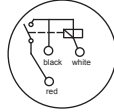
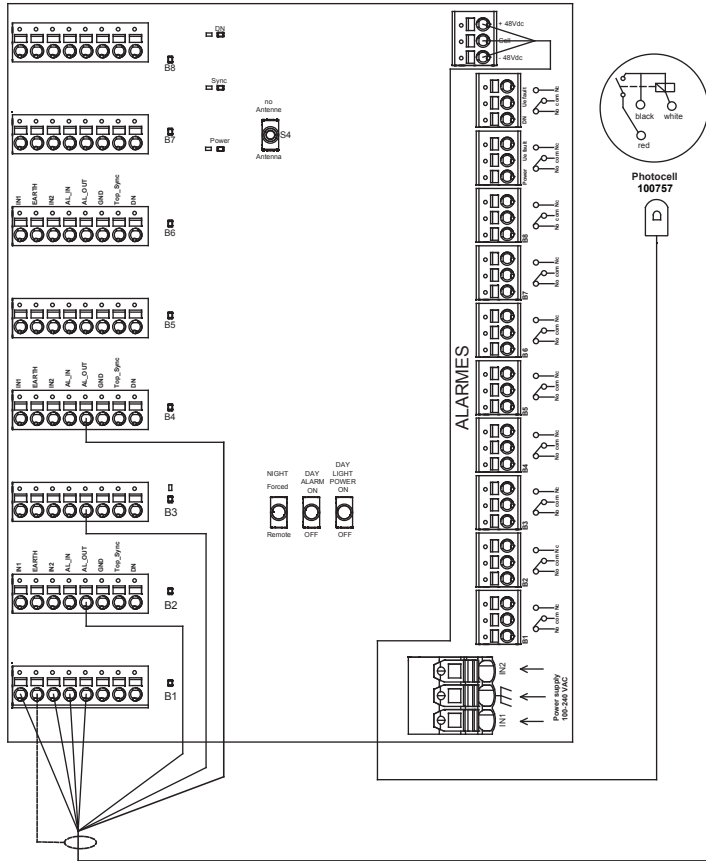
100757	113176-240
Black	+ Vdc
White	- Vdc
Red	Cell

**BILL OF MATERIALS**

3 x NAVILITE-FAA-120-240V  
1 X OFC-CTR-240  
1 X 100757

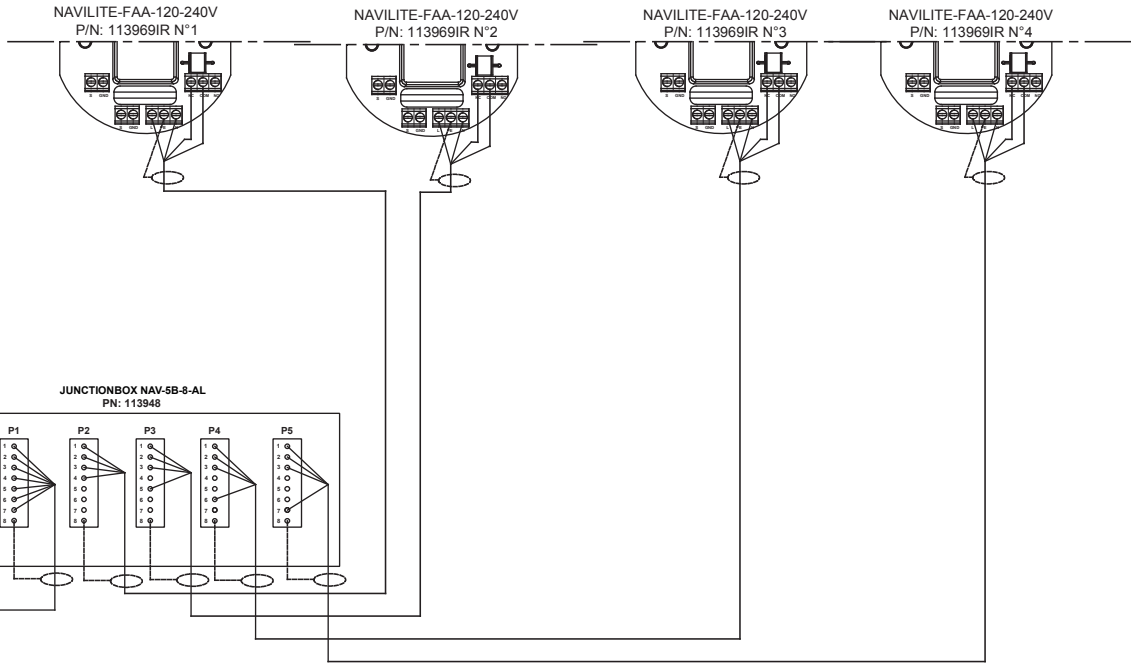
Ce document est la propriété d'OBSTA. Il ne peut être reproduit ou communiqué à des tiers sans son autorisation. This drawing it covers are the property of OBSTA. This document cannot be reproduced, copied or communicated with third parties without the authorization of OBSTA.

**OFC-CTR-240**  
P/N/113176-240



Photocell  
100757

Cable 7x1.5



JUNCTIONBOX NAV-5B-8-AL  
PN: 113948

113948 / 1139691R N°1		113948 / 1139691R N°2		113948 / 1139691R N°3		113948 / 1139691R N°4	
P2-1	L	P3-1	L	P4-1	L	P5-1	L
P2-2	N	P3-2	N	P4-2	N	P5-2	N
P2-3	COM	P3-3	COM	P4-3	COM	P5-3	COM
P2-4	NC	P3-5	NC	P4-6	NC	P5-7	NC

**113176-240/113948**

113176-240	113948
B1-IN1	P1-1
B1-IN2	P1-2
B1-AL_IN	P1-3
B1-AL_OUT	P1-4
B2-AL_OUT	P1-5
B3-AL_OUT	P1-6
B4-AL_OUT	P1-7

**100757/113176-240**

100757	113176-240
Red	Cell
Black	+ 48Vdc
White	- 48Vdc

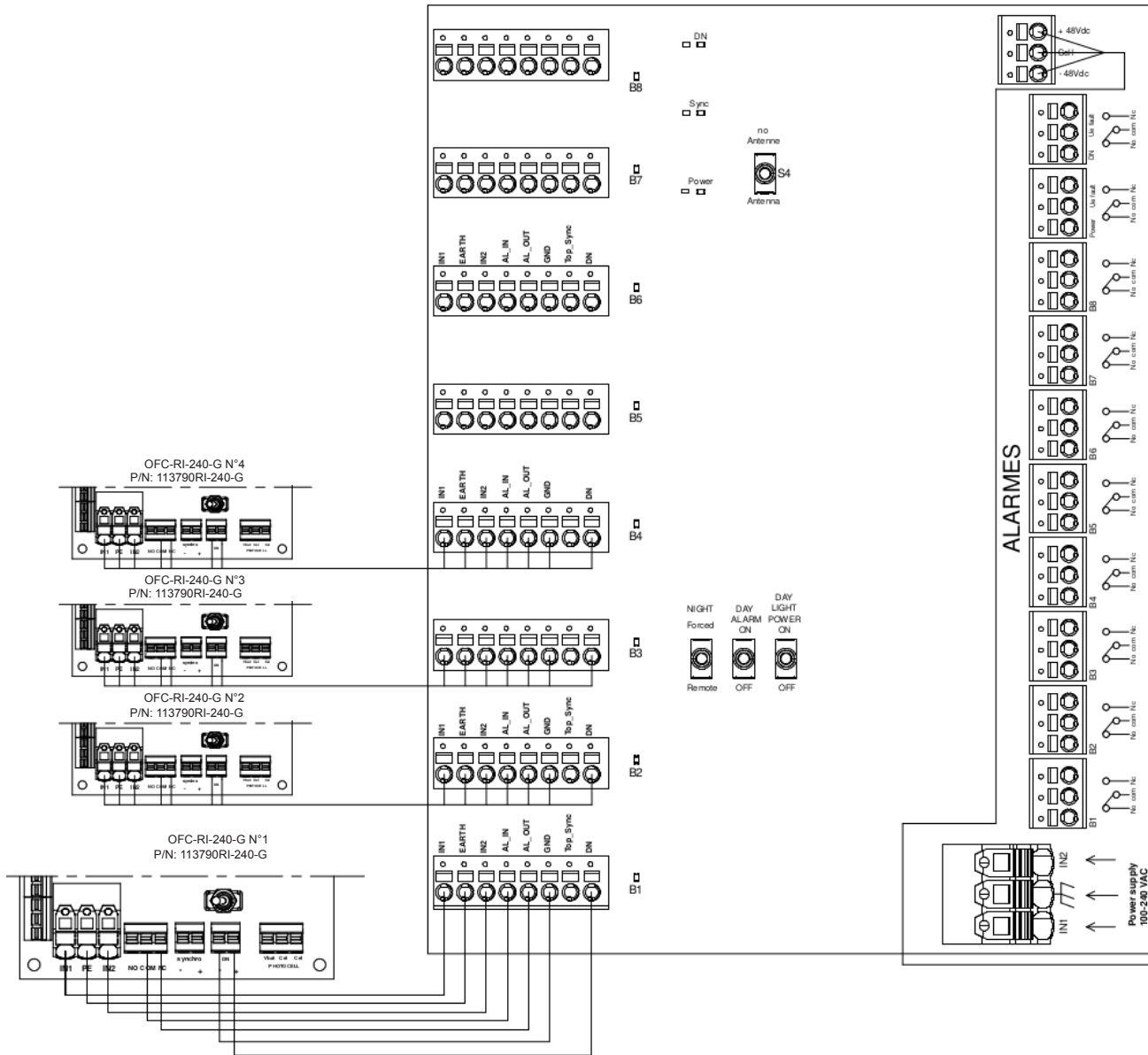
**Power supply/113176-240**

Power supply	113176-240
Line	IN1
Neutral	IN2

**BILL OF MATERIALS**

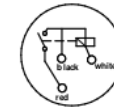
4 X NAVILITE-IR-FAA  
1 X NAV-5B-8-AL  
1 X Photocell 100757

OFC-CTR-240  
PN: 113176-240



OFC-CTR-240 B1	OFC-RI-240-G N°1	OFC-CTR-240 B2	OFC-RI-240-G N°2
IN1	IN1	IN1	IN1
EARTH	PE	EARTH	PE
IN2	IN2	IN2	IN2
AL_IN	COM	AL_IN	COM
AL_OUT	NC	AL_OUT	NC
GND	- DN	GND	- DN
DN	+ DN	DN	+ DN

OFC-CTR-240 B3	OFC-RI-240-G N°3	OFC-CTR-240 B4	OFC-RI-240-G N°4
IN1	IN1	IN1	IN1
EARTH	PE	EARTH	PE
IN2	IN2	IN2	IN2
AL_IN	COM	AL_IN	COM
AL_OUT	NC	AL_OUT	NC
GND	- DN	GND	- DN
DN	+ DN	DN	+ DN



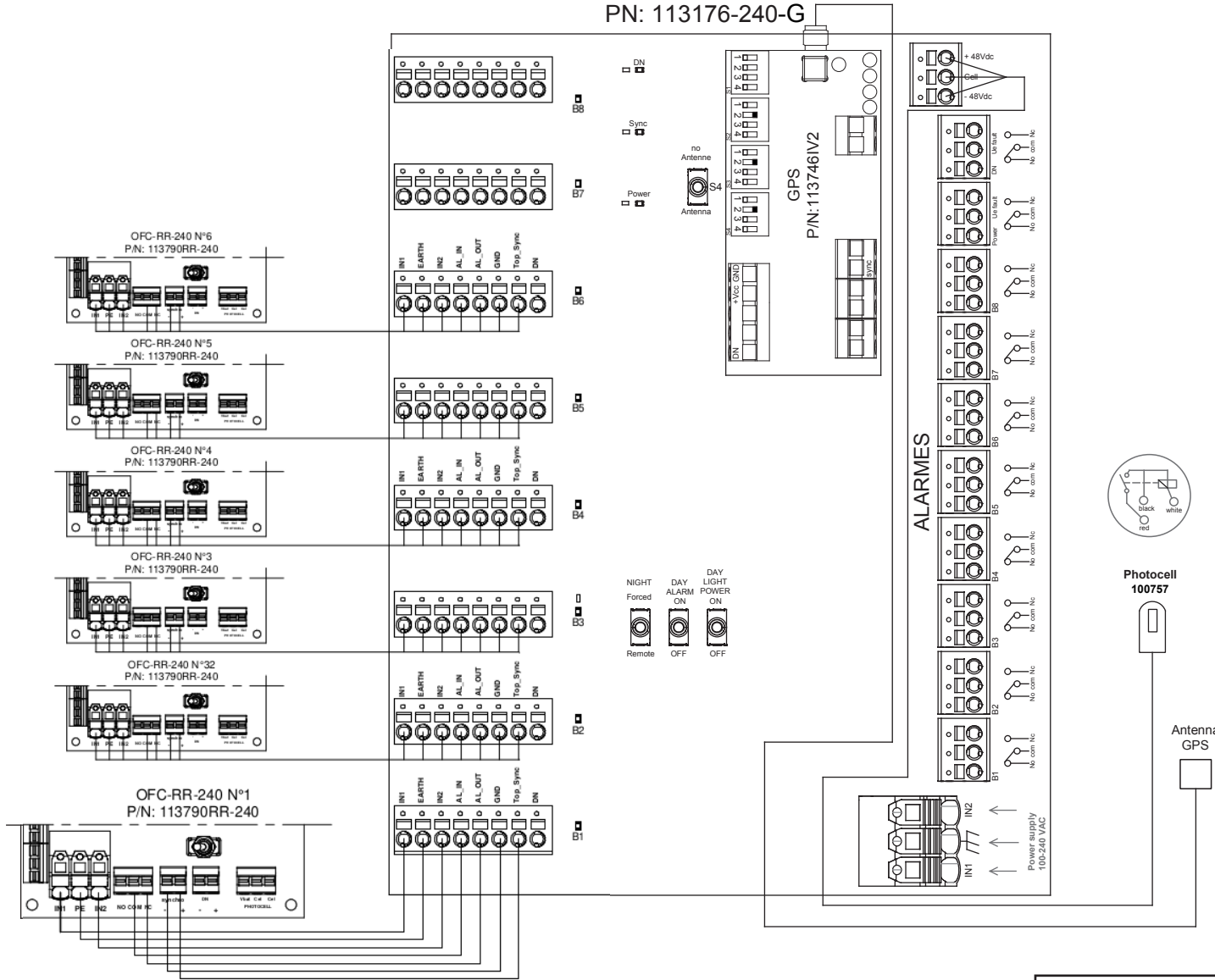
Photocell  
100757

100757/113176-240	
100757	113176-240
Red	Cell
Black	+ 48Vdc
White	- 48Vdc

**BILL OF MATERIALS**

- 4 X OFC-RI-240-G (Medium Intensity Type B or L-884)
- 1 X OFC-CTR-240
- 1 X Phtocell 100757

OFC-CTR-240-G  
 PN: 113176-240-G



OFC-CTR-240 B1	OFC-RR-240 N°1
IN1	IN1
EARTH	PE
IN2	IN2
AL_IN	COM
AL_OUT	NC
GND	- SYNCHRO
Top_Sync	+ SYNCHRO
DN	+ DN

OFC-CTR-240 B2	OFC-RR-240 N°2
IN1	IN1
EARTH	PE
IN2	IN2
AL_IN	COM
AL_OUT	NC
GND	- SYNCHRO
Top_Sync	+ SYNCHRO
DN	+ DN

OFC-CTR-240 B3	OFC-RR-240 N°3
IN1	IN1
EARTH	PE
IN2	IN2
AL_IN	COM
AL_OUT	NC
GND	- SYNCHRO
Top_Sync	+ SYNCHRO
DN	+ DN

OFC-CTR-240 B4	OFC-RR-240 N°4
IN1	IN1
EARTH	PE
IN2	IN2
AL_IN	COM
AL_OUT	NC
GND	- SYNCHRO
Top_Sync	+ SYNCHRO
DN	+ DN

OFC-CTR-240 B5	OFC-RR-240 N°5
IN1	IN1
EARTH	PE
IN2	IN2
AL_IN	COM
AL_OUT	NC
GND	- SYNCHRO
Top_Sync	+ SYNCHRO
DN	+ DN

OFC-CTR-240 B6	OFC-RR-240 N°6
IN1	IN1
EARTH	PE
IN2	IN2
AL_IN	COM
AL_OUT	NC
GND	- SYNCHRO
Top_Sync	+ SYNCHRO
DN	+ DN

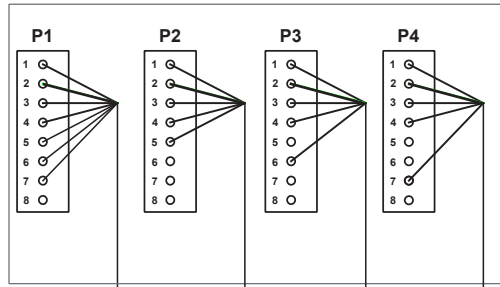
100757/113176-240	
100757	113176-240
Red	Cell
Black	+ 48Vdc
White	- 48Vdc

**BILL OF MATERIALS**

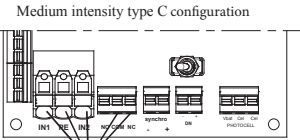
6 X OFC-RR-240 (Medium intensity Type B or L-884)  
 1 X OFC-CTR-240-G  
 1 X Photocell 100757

Ce document est la propriété d'OBSTA. Il ne peut être reproduit ou communiqué à des tiers sans son autorisation.  
 This drawing it covers are the property of OBSTA. This document cannot be reproduced, copied or communicated with third parties without the authorization of OBSTA.

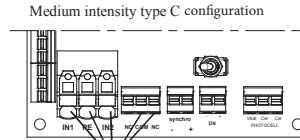
**NAV-JB-8**  
PN: 113946



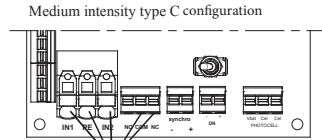
OFC-RI -240 N°1  
P/N: 113790RI -240



OFC-RI -240 N°2  
P/N: 113790RI -240



OFC-RI -240 N°3  
P/N: 113790RI -240

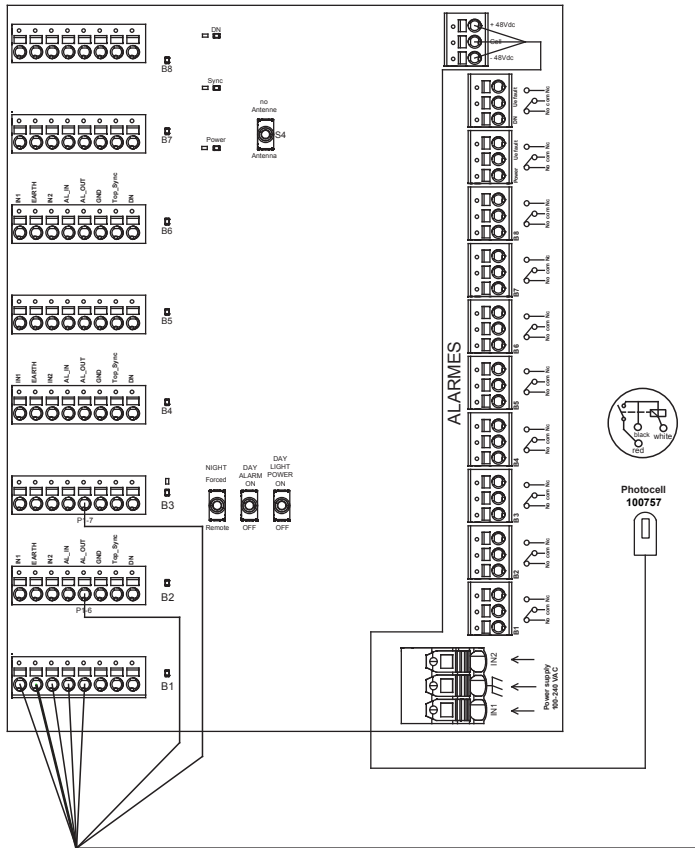


Cable 5G1.5

Cable 5G1.5

Cable 5G1.5

**OFC-CTR-240**  
P/N/113176-240



Cable 7G1.5

**113176-240/113946**

113176-240	113946
B1-IN1	P1-1
EARTH	P1-2
B1-IN2	P1-3
B1-AL_IN	P1-4
B2-AL_OUT	P1-5
B3-AL_OUT	P1-6
	P1-7

**113790RI -240 N°1 /113946**

113790RI -240	113946
IN1	P2-1
PE	P2-2
IN2	P2-3
NC	P2-4
COM	P2-5

**113790RI -240 N°2 / 113946**

113790RI -240	113946
IN1	P3-1
PE	P3-2
IN2	P3-3
NC	P3-4
COM	P3-6

**113790RI -240 N°3 / 113946**

113790RI -240	113946
IN1	P4-1
PE	P4-2
IN2	P4-3
NC	P4-4
COM	P4-7

**100757/113176-240**

100757	113176-240
Red	Cell
Black	+ 48Vdc
White	- 48Vdc

**Power supply/113176-240**

Power supply	113176-240
Line	IN1
Neutral	IN2

**Alarm Lampe N°1**

113167-240	
B1 No	No
B1 com	com
B1 Nc	Nc

**Alarm Lampe N°2**

113167-240	
B2 No	No
B2 com	com
B2 Nc	Nc

**Alarm Lampe N°3**

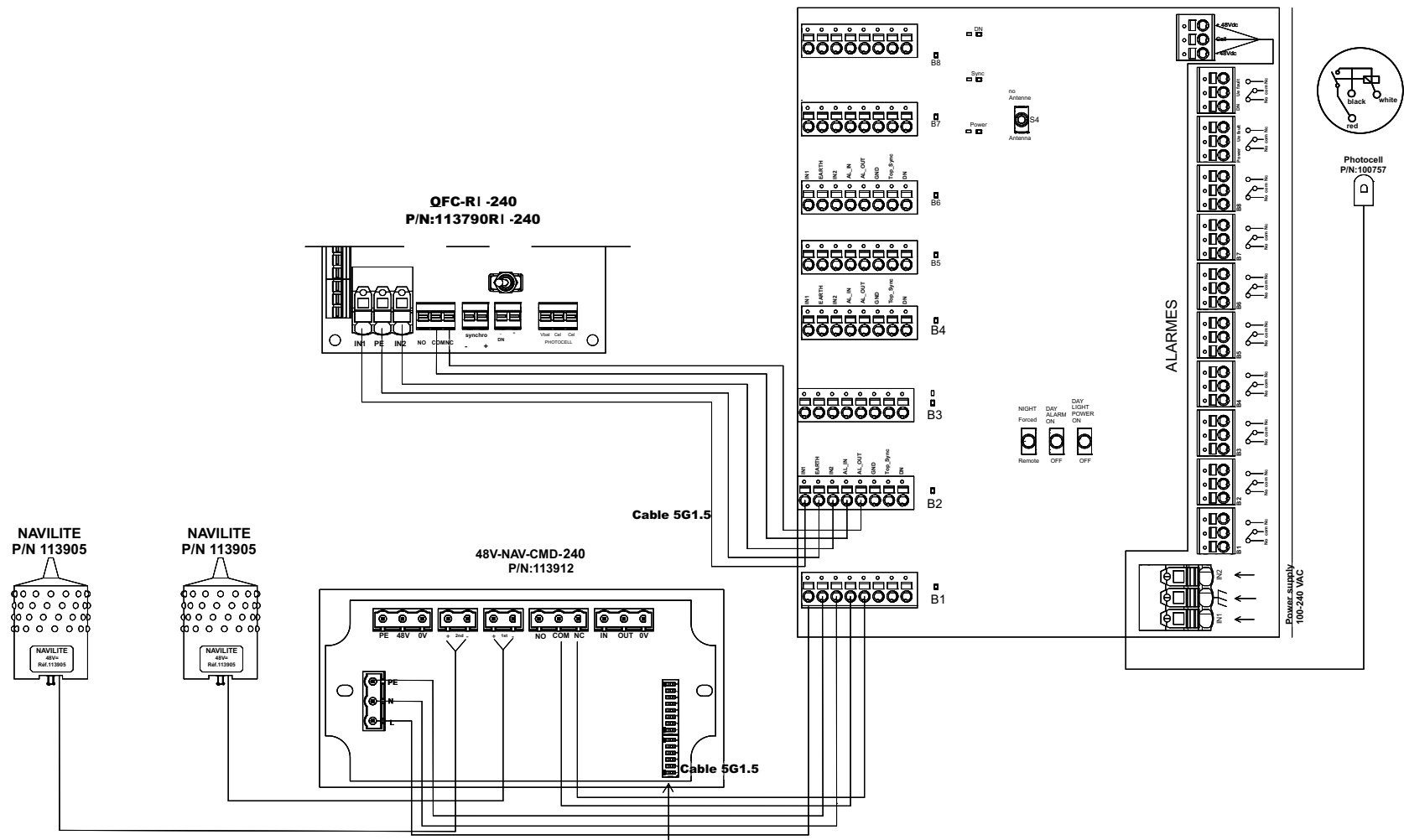
113167-240	
B3 No	No
B3 com	com
B3 Nc	Nc

**BILL OF MATERIALS**

- 3 x OFC-RI-240 (Medium intensity type C)
- 1 x NAV-5B-8
- 1 X OFC-CTR-240
- 1 X 100757

Ce document est la propriété d'OBSTA. Il ne peut être reproduit ou communiqué à des tiers sans son autorisation.  
 This drawing it covers are the property of OBSTA. This document cannot be reproduced, copied or communicated with third parties without the authorization of OBSTA

**OFC-CTR-240**  
**P/N/113176-240**



**100757 / 113176-240**

<b>100757</b>	<b>113176-240</b>
<b>white</b>	<b>- 48Vdc</b>
<b>black</b>	<b>+ 48Vdc</b>
<b>red</b>	<b>Cell</b>

**113176-240 B2/113790RR-240-RG**

<b>113176-240 B2</b>	<b>113790RR-240-RG</b>
<b>IN1</b>	<b>IN1</b>
<b>EARTH</b>	<b>PE</b>
<b>IN2</b>	<b>IN2</b>
<b>AL_IN</b>	<b>COM</b>
<b>AL_OUT</b>	<b>NC</b>

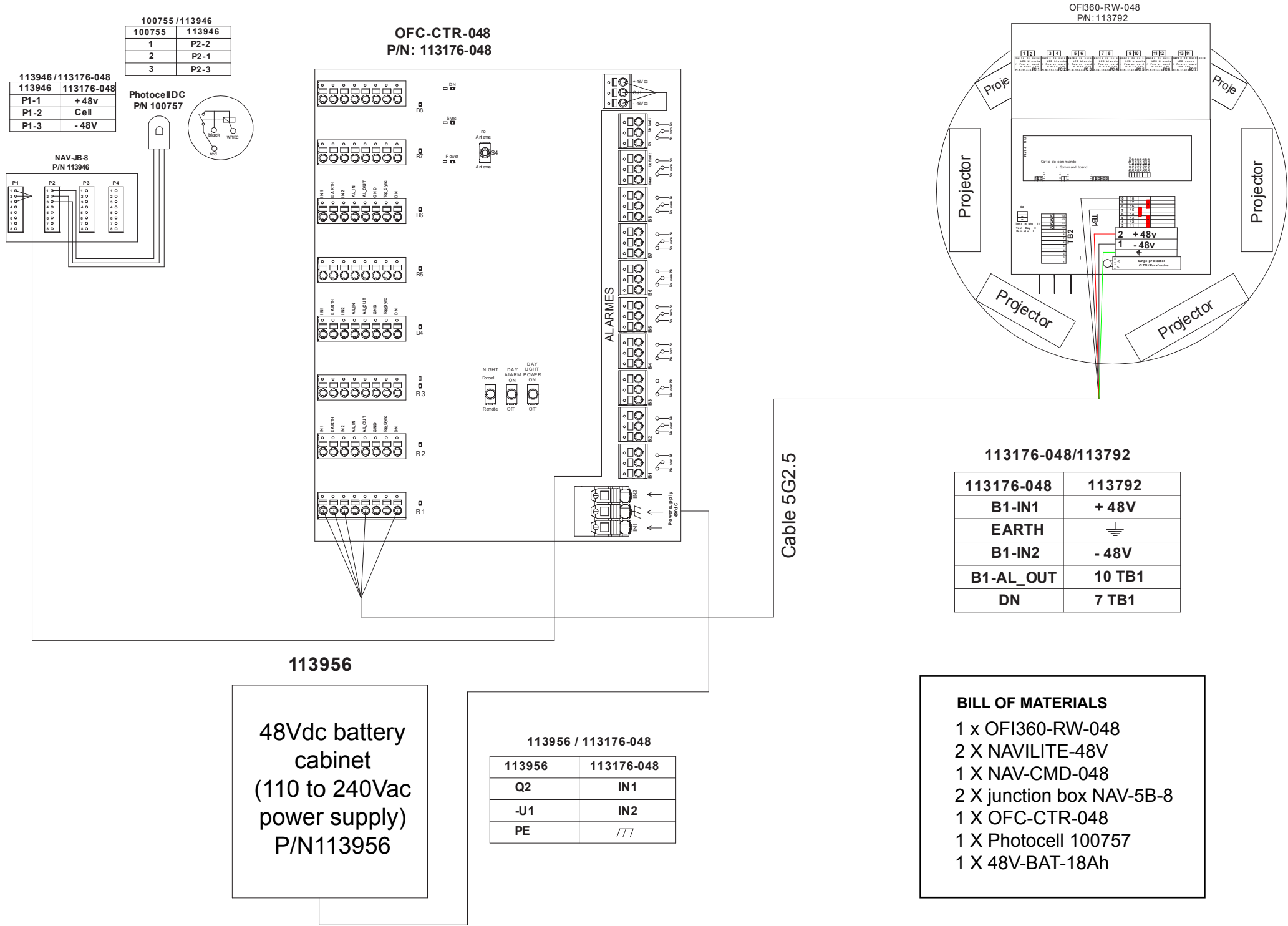
**113176-240 B1/113912**

<b>113176-240 B1</b>	<b>113912</b>
<b>IN1</b>	<b>L</b>
<b>EARTH</b>	<b>PE</b>
<b>IN2</b>	<b>N</b>
<b>AL_IN</b>	<b>COM</b>
<b>AL_OUT</b>	<b>NC</b>

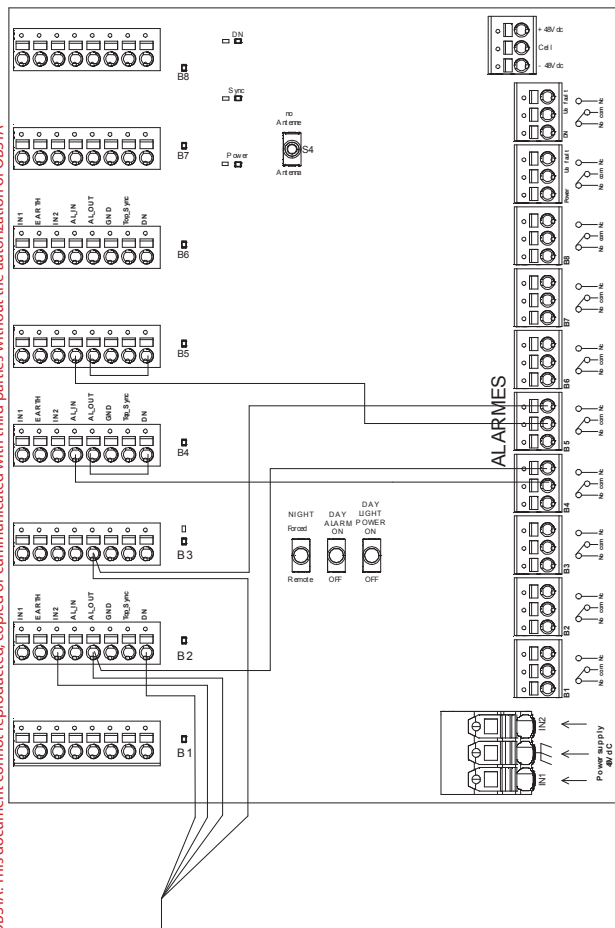
<b>DISP 1</b>	<b>DISP 2</b>
1 ON	1 ON
2 OFF	2 OFF
3 OFF	3 OFF
4 ON	4 OFF
5 OFF	5 OFF
6 OFF	6 OFF
	7 OFF
	8 OFF

- BILL OF MATERIALS**
- 1 X OFC-RI-240
  - 2 X NAVILITE-48V
  - 1 X 48V-NAV-240
  - 1 X OFC-CTR-240
  - 1 X Photocell 100757





**OFC-CTR-048**  
**P/N: 113176-048**

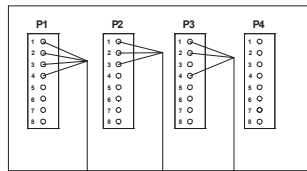


**113176-048/113946**

<b>113176-048</b>	<b>113946</b>
<b>B2-IN1</b>	<b>P1-1</b>
<b>B2-IN2</b>	<b>P1-2</b>
<b>B2-AL_OUT</b>	<b>P1-3</b>
<b>B3-AL_OUT</b>	<b>P1-4</b>

Cable 5G2.5

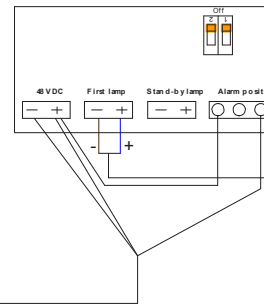
**JUNCTION BOX**  
**NAV-JB-8**  
**PN: 113946**



**113946 / 113940 N°1**

<b>113946</b>	<b>113940 N°1</b>
<b>P2-1</b>	<b>+</b>
<b>P2-2</b>	<b>-</b>
<b>P2-3</b>	<b>NO</b>

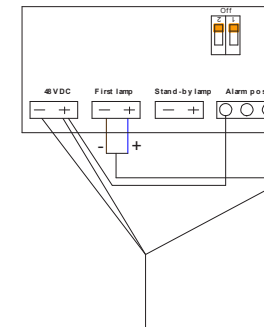
**NAV-CMD-048**  
**113940 N°1**



**113946 / 113940 N°2**

<b>113946</b>	<b>113940 N°2</b>
<b>P3-1</b>	<b>+</b>
<b>P3-2</b>	<b>-</b>
<b>P3-4</b>	<b>NO</b>

**NAV-CMD-048**  
**113940 N°2**



**113940 / 113905**

<b>113940</b>	<b>113905</b>
<b>First +</b>	<b>+</b>
<b>First -</b>	<b>-</b>

<b>BILL OF MATERIALS</b>	
1 x	OFl360-RW-048
2 X	NAVILITE-48V
1 X	NAV-CMD-048
2 X	junction box NAV-5B-8
1 X	OFC-CTR-048
1 X	Photocell 100757
1 X	48V-BAT-18Ah

Ce document est la propriété d'OBSTA. Il ne peut être reproduit ou communiqué à des tiers sans son autorisation. This drawing it covers are the property of OBSTA. This document cannot be reproduced, copied or communicated with third parties without the authorization of OBSTA.