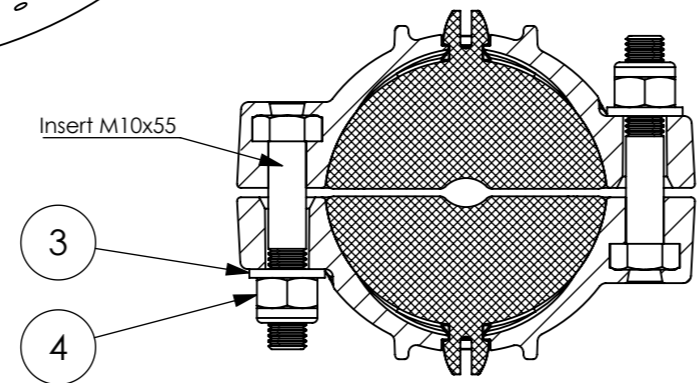
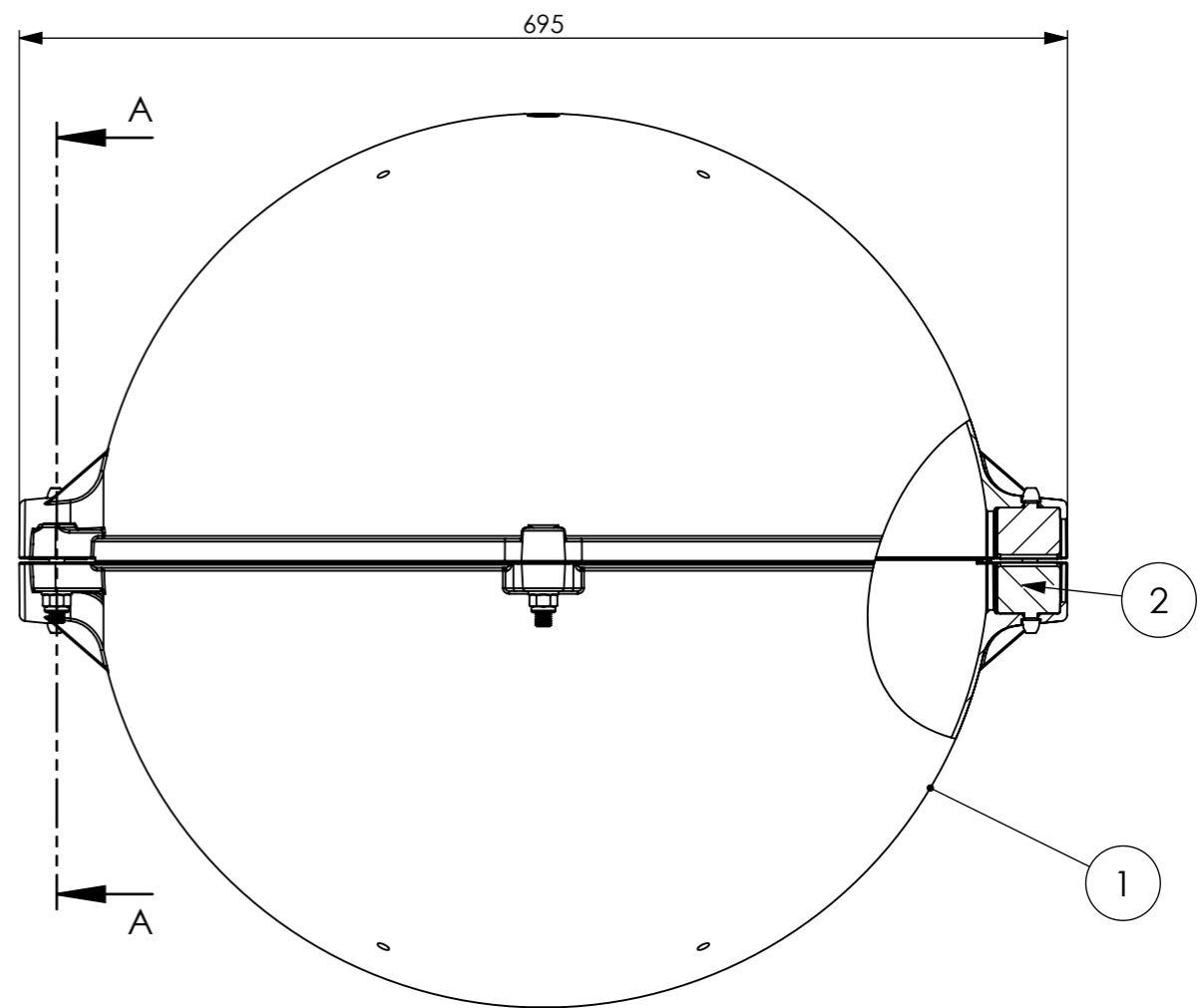
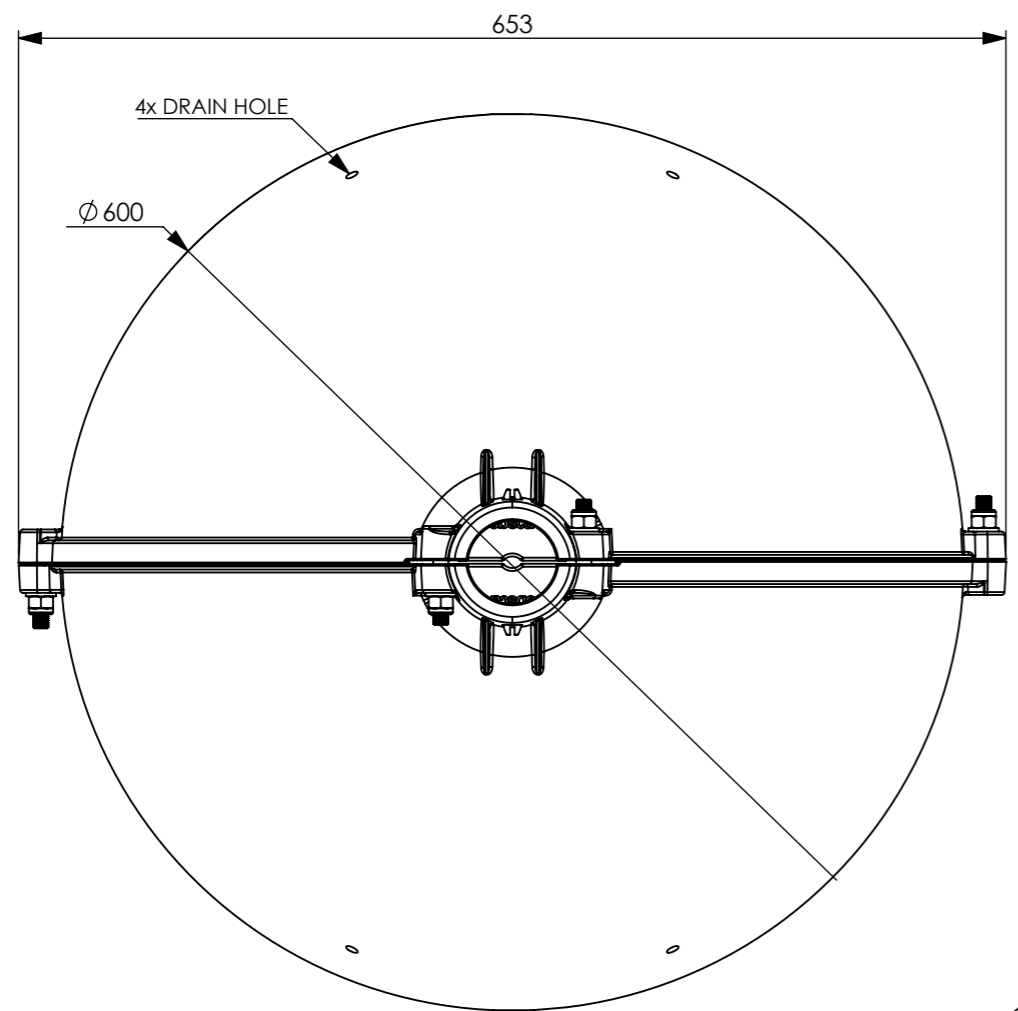


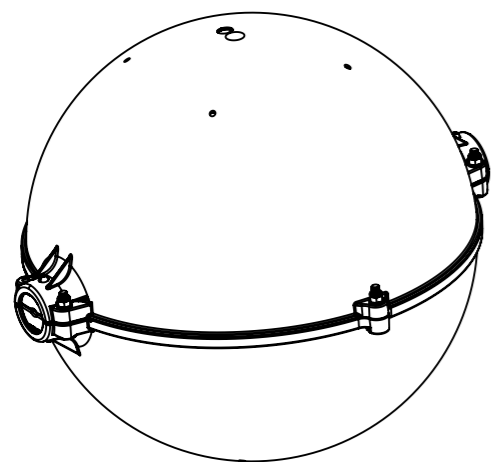
Les dimensions sont en mm
All dimensions are in mm



COUPE A-A
ECHELLE 1 : 2

| REP JAW | Ø CABLE |
|---------|-------------|
| A | 6,5 - 12,5 |
| B | 12,5 - 18,5 |
| C | 18,5 - 24,5 |
| D | 24,5 - 30,5 |
| E | 30,5 - 36,5 |
| F | 36,5 - 42,5 |

The warning spheres can be installed on ground cable or on OPGW with armor rod Torque 15 N.m.



| Rep | Désignation | Description | Matière | Material | Qty |
|-----|----------------------|-------------------|-----------|-----------------|-----|
| 4 | ECROU FREIN M10 | LOCK NUT M10 | INOX A4 | STAINLESS STEEL | 6 |
| 3 | RONDELLE ETROITE M10 | NARROW WASHER M10 | INOX A4 | STAINLESS STEEL | 6 |
| 2 | 1/2 MACHOIRE | 1/2 JAW | EPDM | EPDM | 4 |
| 1 | 1/2 SPHERE | 1/2 SPHERE | PLASTIQUE | PLASTIC | 2 |

| | | | | |
|---|----------|--|--|---|
| A | 25/06/20 | T MÉLINE | CREATION | A ROYER |
| IND/REV | DATE | DESSINE PAR: DESIGNED BY: | NATURE DES MODIFICATIONS/MODIFICATIONS | APPROUVE PAR: APPROVED BY: |
| | | SPHERE PLASTIQUE OBSTA | | |
| Usine de Reims 3, Impasse de la blanchisserie BP 56 51052 REIMS Cedex - France Tel.:+33 (0) 326 857 400 | | CODE: | PLAN: DRAWING: O-CUS-00080-SPH | IND/REV: A FOLIO: 1/1 |
| | | NUMERO DE PROJET: PROJECT NUMBER: PR1806 | TOLERANCES: TOLERANCES: ECHELLE: SCALE: 1:5 | MATIERE: MATERIAL: FINITION: FINISH: - |
| ANNULE ET REMPLACE: CANCELED AND REPLACED: - | | | | |

This drawing is the property of OBSTA. This document cannot be reproduced, copied or cummunicated with third parties without the authorization of OBSTA. Ce document est la propriété d'OBSTA. Il ne peut être reproduit ou communiqué à des tiers sans l'autorisation écrite d'OBSTA.