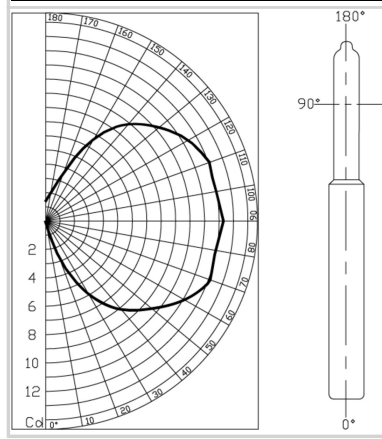
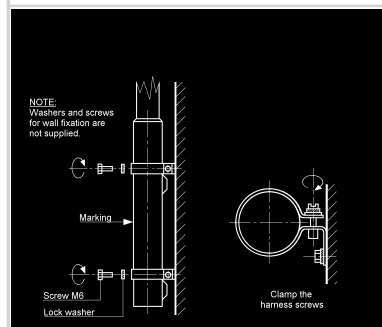
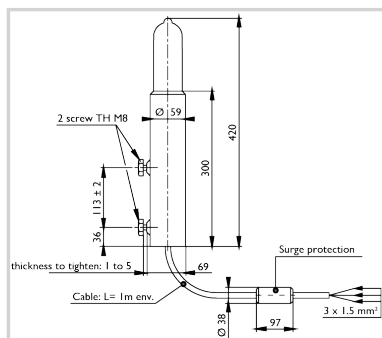


Cold neon discharge low intensity type A devoted to the night marking of all kind of obstacles supplied by a standalone DC power source in 48VDC



- Excellent luminous intensity with a vertical beam much larger than ICAO requirement,
- Inherent generation of the «aviation» red,
- Perfectly waterproof, light in hard made in hard glass
- No grounding issue, class II
- All wiring configuration available
- Protected against transient overvoltages
- Alarm by returning +48V in case of lamp failure or low power



Electrical Characteristics	
Wattage	12 W
Current drawn	250 mA
Main voltage	48VDC (-10%; +15%)
Mechanical Characteristics	
IP degree	IP66
Wiring	On stripped wires 3x1,5mm ² (cable length 1 meter) (2 power wires, 1 alarm wire)
Operating temperature	-40/+55°C
Weight	1,5 kg
Size of the light	420mm (height) x 69mm (over diameter)
Attachment	2 screws type M8 (provided). Thickness to screw into : 1 up to 5 mm
Photometric Characteristics	
Luminous intensity	> 10 Cd
Color night time	Red fixed
Vertical beam spread	>120°
Horizontal beam spread	360°
Standards	
Standards compliance	ICAO annexe 14 chapter 6 (8th edition 07/2018), EASA (4th edition 2017)