

***This OBSTAFLASH120 ou 180 dual color medium intensity type A and B (or C) is designed for day and night marking of obstacle such as chimneys, pylons and high rise buildings (3 or more lights are required per level depending on diameter of the obstacle)***

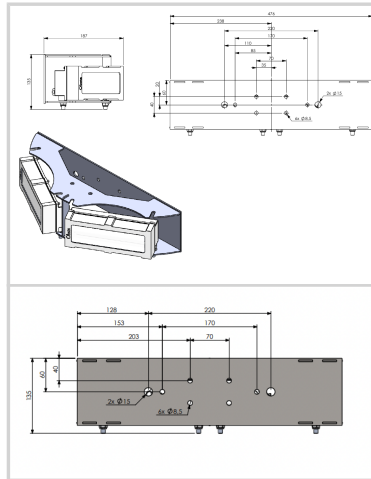


The L-865/L-864 dual color flashhead includes

- 2 obsta projectors coming with 10 meters of molded cable
- Stainless support for the 2 projectors

This flash-head must be powered through external obsta power cabinet

Option **length of cable : 10 meters**



Mechanical Characteristics	
Wiring	On stripped wires
Operating temperature	-40/+55°C
Weight	5.5 kg
Weight	5.5 kg
Size of the light	120mm (height) x 480mm (width)
Photometric Characteristics	
Effective light output day time at 0° on site	20 000cd (white)
Effective light output twilight mode at 0° on site	20 000cd (white)
Effective light output night mode at 0° on site	2000cd (red) with IR
Color day/twilight time	white
Color night time	Red or white
Vertical beam spread	>3°
Horizontal beam spread	360° with minimum 3 flashheads fixed at 120° around the obstacle
Standards	
Standards compliance	ICAO annex 14 chapter 6, FAA (AC 150/5345-43H), EASA, DGAC, CAA (CAP 168)