

Dual color medium intensity OFP-360-RW-JB P/N 113731JB and complete remote power supply OFP-CAB-1B-RW-240-4M32-S P/N 114111

Flash-head

- ✦ 6 led projectors in aluminium and glass
- ✦ 2 white led circuits and a red with infrared circuit inside each projector
- ✦ NVG visible
- ✦ Simple installation with no losing parts when opening the flash-head

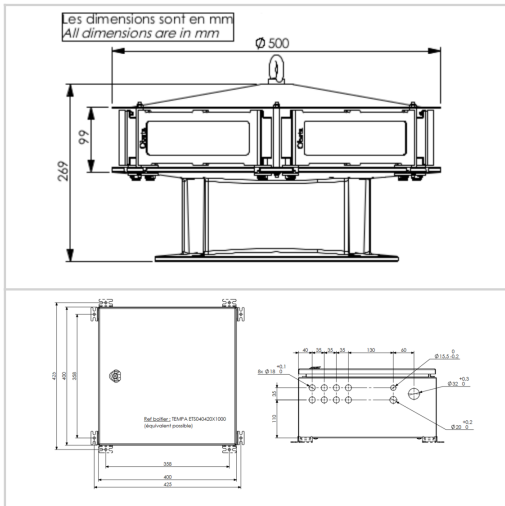


1966535B1 & US 7816843

Patents: EP

Full remote power supply

- ✦ 'Weather tight' stainless steel 316L power cabinet enclosure
- ✦ Test button with 3 positions: remote (photocell), day and night mode
- ✦ Normally open or normally close relay in case of lamp default or power supply
- ✦ Communication capabilities (controller, Modbus TCP)
- ✦ Test button for day and night
- ✦ Luminous indicators for quick diagnostic
- ✦ Surge protection with indicator showing when it has failed included
- ✦ GPS controlled or in back-up activated in case of failure or absence of an external high intensity controller or photocell
- ✦ Alarm in compliance with FAA Engineering Brief 98
- ✦ Multi-layer of surge protections



| Electrical Characteristics | |
|--|--|
| Main voltage | 110VAC to 240VAC +/-10% 50/60Hz |
| Average wattage | 55W (day time), 8W (night mode) |
| Mechanical Characteristics | |
| IP degree | IP66 per projector |
| Wiring | Entry of cable by glands nickel plated brass and connection by terminals |
| Operating temperature | -40/+55°C |
| Size of the light | 333mm (height) x 500mm (diameter) |
| Size of the power supply | 400mm (height) x 300mm (width) x 200mm (dept) |
| Weight | 18kg for flashhead, 10kg for power cabinet |
| Wire cross section | from 1 to 4 mm ² |
| Attachment | 6 mounting holes dia.16mm, dia.337mm circle (FAA standard) |
| Photometric Characteristics | |
| Effective light output day time at 0° on site | 20 000cd (white) |
| Effective light output twilight mode at 0° on site | 20 000cd (white) |
| Effective light output night mode at 0° on site | 2000cd (red) with IR |
| Color day/twilight time | white |
| Color night time | Red |
| Vertical beam spread | >3° |
| Horizontal beam spread | 360° |
| Flash per minute | 20, 30, 40 or 60 flashes per minute |
| Standards | |
| Standards compliance | ICAO annex 14 chapter 6, FAA (AC 150/5345-43J), UK MOD, Transport Canada |
| Certification | FAA (AC 150/5345-43J), ETL listed, DGAC(Fr) |