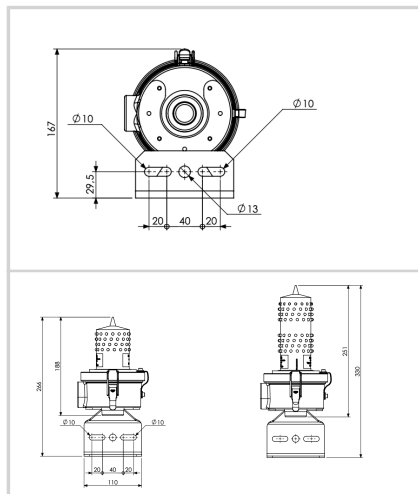


Low intensity type A and B (L-810 FAA 150/5345-43H)



- The reference 113969-KIT includes the Navilite low intensity light (113969) with a stainless steel bracket and a cable gland (113928)
- Light part completely molded with 4 levels of leds
- Redundant circuits for LED's : 16 circuits of 4 LEDs in redundancy
- Surge protection and alarm included inside an aluminum red painted base
- normally open and normally close both available for the alarm in compliance with FAA Engineering Brief 98
- Provided with stainless bracket for mounting and hot-galvanized cable entry
- Molded design with no loose parts during installation



Electrical Characteristics	
Wattage	7,5W
Life time	~10years
Main voltage	110VAC to 240VAC +/-10% 50/60Hz
Mechanical Characteristics	
IP degree	IP66
Wiring	Terminal connection (2 power wires and 2 for the alarm)
Operating temperature	-40/+55°C
Weight	2.5 kg
Weight	2.5 kg
Wire cross section	from 1 to 2,5 mm ²
Attachment	vertical bracket
Photometric Characteristics	
Luminous intensity	> 32,5 Cd
Color night time	Red fixed
Vertical beam spread	>10°
Horizontal beam spread	360°
Standards	
Standards compliance	ICAO annex 14 chapter 6, FAA (AC 150/5345-43H), EASA, DGAC, CAA (CAP 168)
Certification	FAA (AC 150/5345-43H) ETL verified