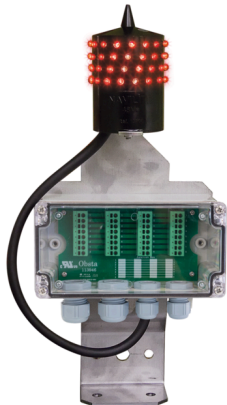
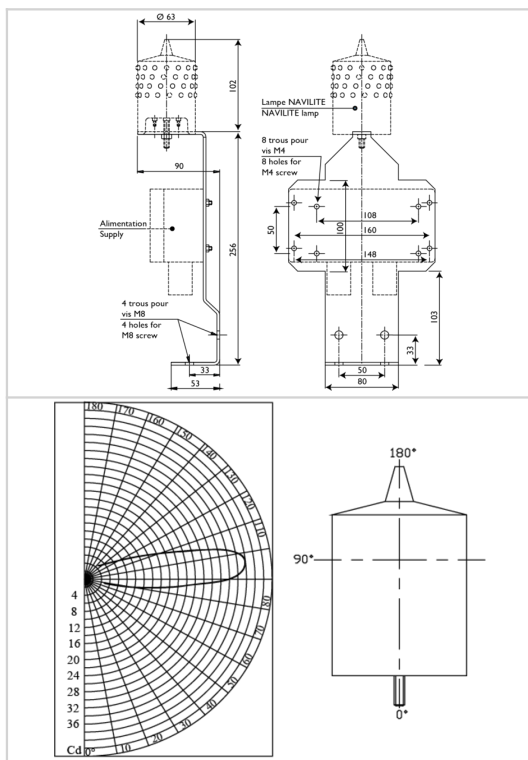


## Red fixed low intensity type A and B



- ✦ Completely molded and perfectly waterproof
- ✦ Bird spike
- ✦ No grounding issue, class II
- ✦ Total 64 leds wired in 16 independent circuits of 4 leds each
- ✦ Very compact and very low weight

The 113905-KIT includes the NAVILITE-48V-CABLE 113905, its mounting bracket NAVILITE-HOLDER and its bypass box NAV-JB-8



Electrical Characteristics	
Wattage	6 W
Current drawn	125 mA
Life time	~10years
Main voltage	48VDC ± 10%
Mechanical Characteristics	
IP degree	IP67
Wiring	On stripped wires (molded cable lenght 35cm) (2 power wires)
Operating temperature	-40/+60°C
Weight	2.5 kg
Size of the light	112mm (height) x 63mm (over diameter)
Weight	370g
Attachment	1 screw M5 provided
Photometric Characteristics	
Luminous intensity	> 32cd
Color night time	Red fixed
Vertical beam spread	>10°
Horizontal beam spread	360°
Standards	
Standards compliance	ICAO annexe 14 chapter 6 (8th edition 07/2018), EASA (4th edition 2017)