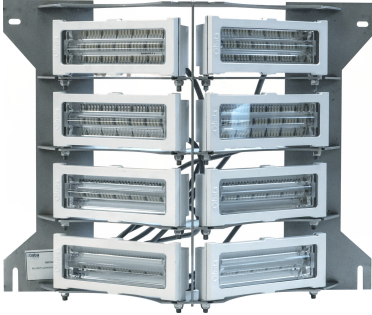


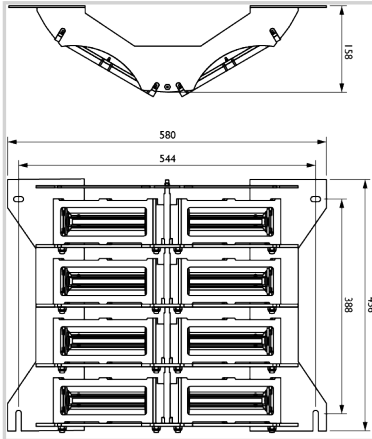
## Spare part for led lights



### Flashhead

- 8 led projectors with molded cable with ou without connectors
- Aluminium and glass envelope
- Stainless support for the 8 projectors
- No losing parts and no special tools required to remove projectors
- Junction box and/or power supply to be ordered separately

Option length of cable : 6 meters



Mechanical Characteristics	
Wiring	On stripped wires
Operating temperature	-40/+55°C
Weight	19kg for flashhead
Weight	19kg for flashhead
Photometric Characteristics	
Effective light output day time at 0° on site	200 000cd (white)
Effective light output twilight mode at 0° on site	20 000cd (white)
Effective light output night mode at 0° on site	2000cd (white)
Color day/twilight time	white
Color night time	White
Vertical beam spread	>3°
Horizontal beam spread	360° with minimum 3 flashheads fixed at 120° around the obstacle