

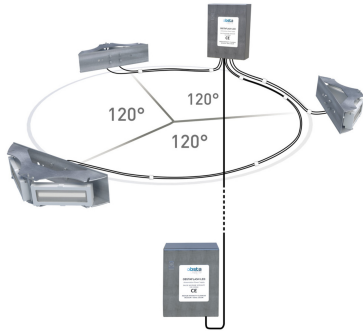
Dual color medium intensity system FAA L-865/L-864 ETL certified

1. At the top: 3 flash-heads OFP-120-RW-10-U with a DC power unit, all including : Each flash-heads OFP-120-RW-10-U includes

- 2 led projectors made in aluminium and glass with 10 meters cable
- Inside each projector : 2 white led circuits and a red+infrared circuit
- Simple installation with no losing parts A DC power unit
- Normally open or normally close relay in case of lamp default or power supply
- Communication capabilities (controller, Modbus TCP)
- Test button for day and night
- Luminous indicators for quick diagnostic
- dc surge protection with indicator showing when it has failed included
- GPS controlled or in back-up activated in case of failure or absence external signals

2. At the bottom: 110 to 230Vac power supply at the bottom of the obstacle

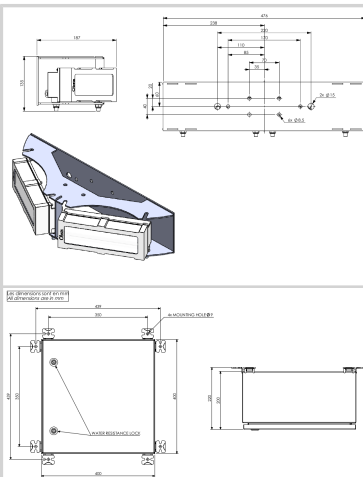
- 'Weather tight' stainless steel 316L power cabinet enclosure
- Test button with 3 positions: remote (photocell), day and night mode
- Alarm in compliance with FAA Engineering Brief 98
- Multi-layer of surge protections
- External photocell
- Master/slave configuration in case of multiple lights synchronisation
- Optional connection to side lights L-810(F) NAVILITE-IR-FAA-120-240V P/N 113969IR-F for mid level operating at night only and synchronized with red mode at the top



Patents: EP3230651, FR1462349, Pat. 10,247,386



Photocell P/N100757, optional L-810 (F) at mid level and cable between the 2 power cabinets to be ordered separately



Electrical Characteristics	
Main voltage	110VAC to 240VAC +/-10% 50/60Hz
Average wattage	55W (day time), 8W (night mode)
Mechanical Characteristics	
Wiring	For each projector, 10 meters of molded cable For power supply, 1 plug per projector + entry of power & signal cable by glands nickel plated brass and connection by terminals
Operating temperature	-40/+55°C
Weight	3,5kg
Size of the light	120mm (height) x 480mm (width)
Size of the power supply	590mm (height) x 350mm (width) x 250mm (dept)
Photometric Characteristics	
IR intensity and wavelength	> 600mW/sr @ 800-900nm
Effective light output day time at 0° on site	20 000cd (white)
Effective light output twilight mode at 0° on site	20 000cd (white)
Effective light output night mode at 0° on site	2000cd (red) with IR
Color day/twilight time	white
Color night time	Red
Vertical beam spread	>3°
Horizontal beam spread	360° with minimum 3 flashheads fixed at 120° around the obstacle
Flash per minute	40/30 as per FAA
Standards	
Standards compliance	ICAO annex 14 chapter 6, FAA (AC 150/5345-43J), UK MOD, Transport Canada
Certification	FAA (AC 150/5345-43J), ETL certified, DGAC(Fr)

