

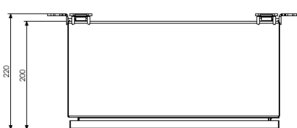
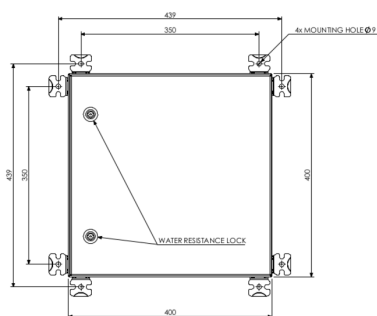
Spare part for led lights

Power supply working with :

- ✦ up to 8 red medium intensity flash-head OFF-120-R-JB
- ✦ up to 3 dual color medium intensity OFF-120-RW-10 (or 4 in white only mode)
- ✦ or 1 high intensity flash-head OFF-FH-RW-120-6P
- ✦ 'Weather tight' stainless steel 316L power cabinet enclosure
- ✦ 8 independant power supplies providing a high redundancy level
- ✦ Test button for day, twilight and night
- ✦ Alarm dry contact NC and NO activated in case 1 or 2 led projectors not operating
- ✦ Surge protection included
- ✦ Controlled by internal GPS or external controller (to be ordered separately)
- ✦ GPS as a back-up (both flash and day/twilight/night mode) in case of default of external controller



Les dimensions sont en mm
All dimensions are in mm



Electrical Characteristics

Main voltage 110VAC to 240VAC +/-10% 50/60Hz

Mechanical Characteristics

Weight 16 kg

Size of the power supply 590mm (height) x 350mm (width) x 250mm (dept)