

Medium intensity type B

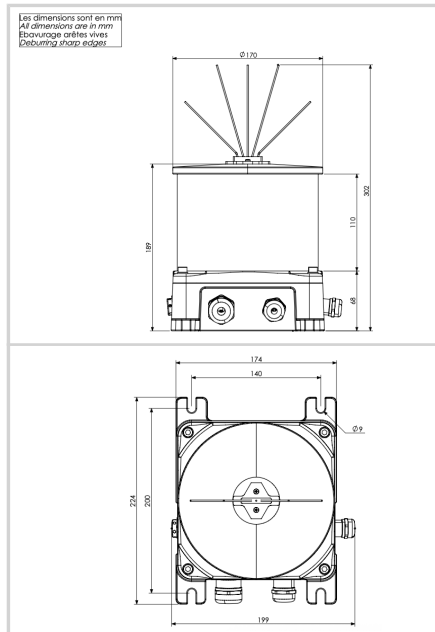


Flash-head with integrated power supply

- 6 Obsta optics with cover in hard glass and aluminium base
- Simple installation with no losing parts when opening the flash-head
- 2 leds circuits main and back-up (ICAO medium intensity type B or C configuration) or simultaneously with IR
- Power supply inside the flash-head
- membrane vent
- GPS antenna included, built-in photocensor (-R) in option

Patents:

EP 1966535B1 & US 7816843



Electrical Characteristics	
Main voltage	10VDC to 36VDC
Average wattage	Below 3W @ 20 flashes per minute (minimum ICAO setting with alarm free contact de-activated)
Mechanical Characteristics	
IP degree	IP66
Wiring	Entry of cable by glands nickel plated brass and connection by terminals
Operating temperature	-40/+55°C
Weight	5kg
Size of the light	220mm x 190mm x 190mm
Cable entry diameter	from 7 to 13 mm
Wire cross section	up to 6mm ² for power supply, up to 1,5mm ² for signal
Attachment	4 mounting holes dia.9mm, 200mm x 140mm
Photometric Characteristics	
IR intensity and wavelength	> 600mW/sr @ 800-900nm
Effective light output night mode at 0° on site	2000cd (red)
Color night time	Red
Vertical beam spread	>3°
Horizontal beam spread	360°
Flash per minute	20, 30, 40 or 60 flashes per minute (medium intensity type B) or steady (medium intensity type C)
Standards	
Standards compliance	ICAO annexe 14 chapter 6 (8th edition 07/2018), EASA (4th edition 2017)