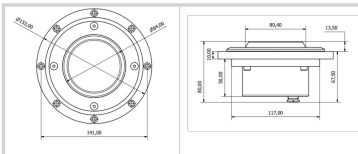


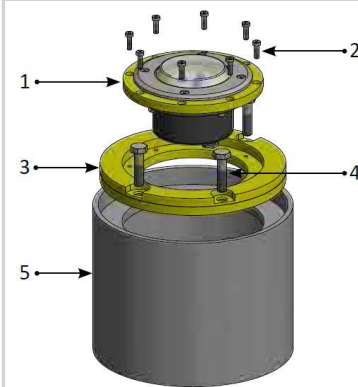
Touchdown and lift-off area lighting (TLOF)



- Housing powder-coated aluminium, RAL 1004 (aviation yellow)
- Diffuser – hardened glass
- Diffuser – flange nickel-plated ring
- Nickel-plated brass cable gland
- Stainless steel fasteners
- Light fixtures are provided with anti condensation valve and are UV protected



Electrical Characteristics	
Wattage	6 W
Main voltage	230VAC +/-10%
Mechanical Characteristics	
IP degree	IP66
Operating temperature	-40/+55°C
Color	green
Weight	1,5 kg
Photometric Characteristics	
Luminous intensity	> 32cd
Standards	
Standards compliance	ICAO Annex 14, Volume II – Heliports and Volume 1



1. Light Fixture
2. M5*16 Allen Screw
3. Adapter Ring for 8" Shallow Base
4. M10*20 Hexagonal Head Screw
5. Ø8" IEC type Shallow Base