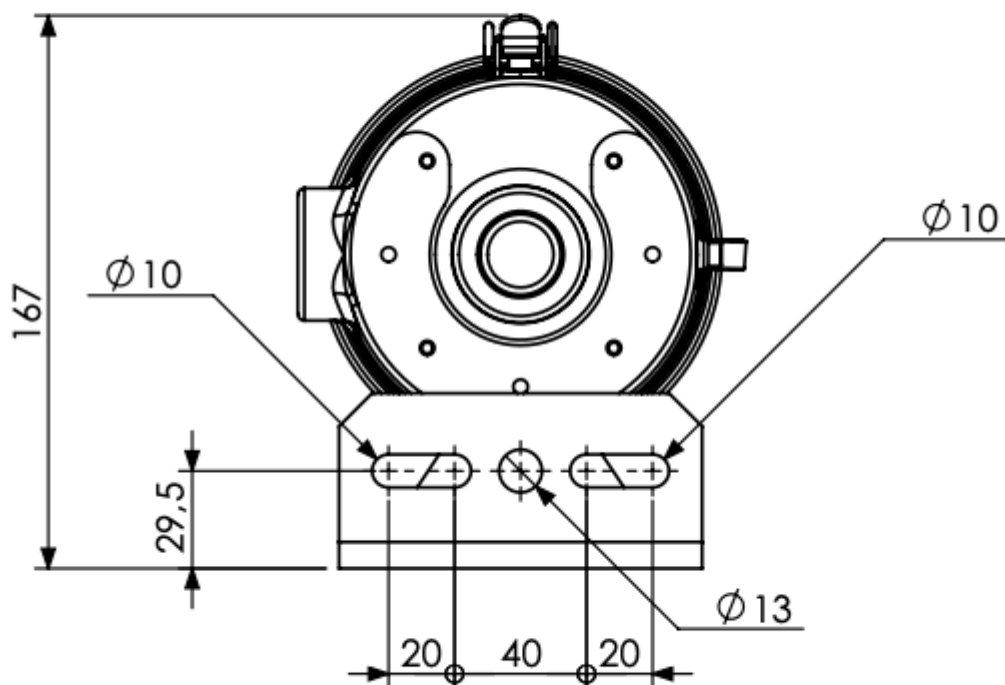
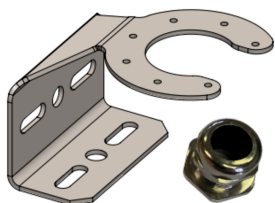


Support for one NAVILITE L-810 P/N113969, 113965 or 113969IR and cable gland. This kit is required in case of absence of rigid conduit 3 /4NPT supporting the light



Support for one NAVILITE L-810 P/N113969, 113965 or 113969IR and cable gland. This kit is required in case of absence of rigid conduit 3 /4NPT supporting the light

