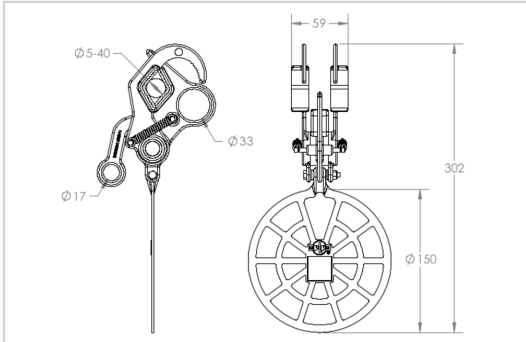


This bird diverter is designed to increase the visibility of overhead lines and reduce the incidence of bird collisions with overhead cables. Extensive field studies have shown that when installed properly diverters significantly decrease bird strikes.



- ✦ Easy "bump and snap" installation on the cable
- ✦ No special tools required
- ✦ Simple, cost-effective design
- ✦ Lightweight (total weight = 180g)
- ✦ Manufactured from UV-stabilized polycarbonate and polyethylene materials
- ✦ All metal hardware is corrosion-resistant stainless steel



Mechanical Characteristics	
Cable diameter	Ø up to 40mm
Operating temperature	100°C max
Color	yellow
Weight	180g

