

Dual color medium intensity type A and B (or C) 110-240VAC

110-240VAC flashhead including

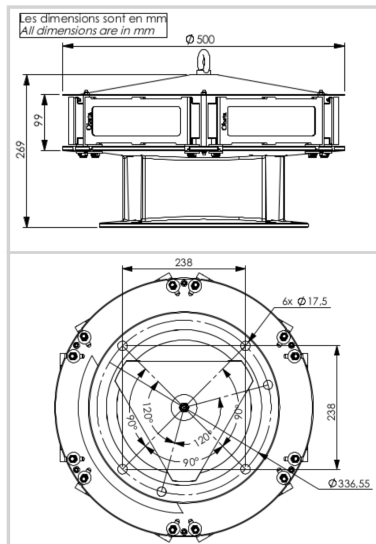
- 6 led projectors in aluminium and glass
- inside each projector, 2 white led circuits for day mode and a red with infrared circuit for night mode
- Simple installation with no losing parts when opening the flash-head
- led drivers inside a stainless enclosure located in flash-head
- Alarm contact in case of lamp failure or power supply failure
- Test button for day and night
- Luminous indicators for quick diagnostic
- completely autonomous system with built-in GPS (or activated in case of failure of an external controller)
- type 2 surge protection

Patents:

Option GPS (day/twilight/night sync and flash sync)



EP 1966535B1 & US 7816843



Electrical Characteristics	
Main voltage	110VAC to 240VAC +/-10% 50/60Hz
Average wattage	55W (day time), 8W (night mode)
Mechanical Characteristics	
IP degree	IP66 per projector
Wiring	Entry of cable by glands nickel plated brass and connection by terminals
Operating temperature	-40/+55°C
Weight	19kg for flashhead
Weight	19kg for flashhead
Size of the light	333mm (height) x 500mm (diameter)
Cable entry diameter	11 to 21mm
Wire cross section	from 1 to 4 mm²
Attachment	6 mounting holes dia.16mm, dia.337mm circle (FAA standard)
Photometric Characteristics	
Effective light output day time at 0° on site	20 000cd (white)
Effective light output twilight mode at 0° on site	20 000cd (white)
Effective light output night mode at 0° on site	2000cd (white)
Color day/twilight time	white
Color night time	Red
Vertical beam spread	>3°
Horizontal beam spread	360°
Flash per minute	20, 30, 40 or 60 flashes per minute
Standards	
Standards compliance	ICAO annexe 14 chapter 6 (8th edition 07/2018), EASA (4th edition 2017)