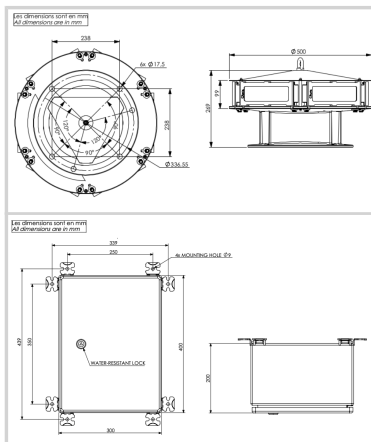


## Flashhead 113791

- 6 led projectors with 2 white led circuits, red possible at night
- Aluminium and glass envelope
- Simple installation with no losing parts when opening the flashead
- Led drivers in stainless enclosure inside the flashhead with 2 stage surge protections

## Power supply 113797AOL

- 'Weather tight' stainless steel 316L power cabinet enclosure
- Test button with 3 positions: remote (controller), day and night mode
- Synchronization with high intensity controller OFH-CTR



Electrical Characteristics	
Main voltage	110VAC to 240VAC +/-10% 50/60Hz
Average wattage	55W (day time), 8W (night mode)
Mechanical Characteristics	
IP degree	IP66 per projector
Wiring	Entry of cable by glands nickel plated brass and connection by terminals
Operating temperature	-40/+55°C
Weight	14kg for flashhead, 10kg for power cabinet
Size of the light	333mm (height) x 500mm (diameter)
Size of the power supply	400mm (height) x 300mm (width) x 200mm (dept)
Wire cross section	from 1 to 4 mm <sup>2</sup>
Attachment	6 mounting holes dia.16mm, dia.337mm circle (FAA standard)
Photometric Characteristics	
Effective light output day time at 0° on site	20 000cd (white)
Effective light output twilight mode at 0° on site	20 000cd (white)
Effective light output night mode at 0° on site	2000cd (white)
Color day/twilight time	white
Color night time	Red
Vertical beam spread	>3°
Horizontal beam spread	360°
Flash per minute	40
Standards	
Standards compliance	ICAO annexe 14 chapter 6 (8th edition 07/2018), EASA (4th edition 2017)