

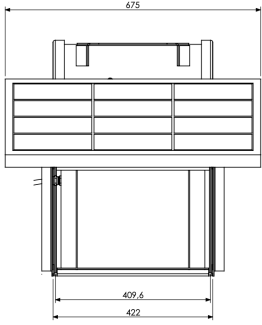
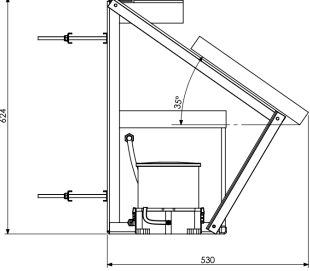
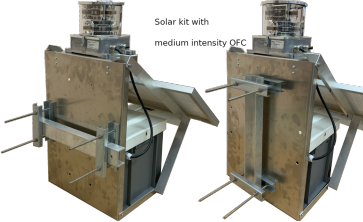
12Vdc solar kit 30/50 Watts peak with battery capacity 41/100Ah for OFC 12Vdc (to be ordered separately)



Advantages

- GEL technology for the battery
- Initial capacity of the battery with 6 days of autonomy offering limited maintenance cost
- Protection of the battery against overcharges and deep discharge
- modular system with easy access for the maintenance
- accessories to attach the solar kit on vertical leg or horizontal leg included

Mechanical Characteristics	
Attachment	2 brackets for vertical or horizontal leg

Mechanical Characteristics

Attachment	2 brackets for vertical or horizontal leg
------------	---