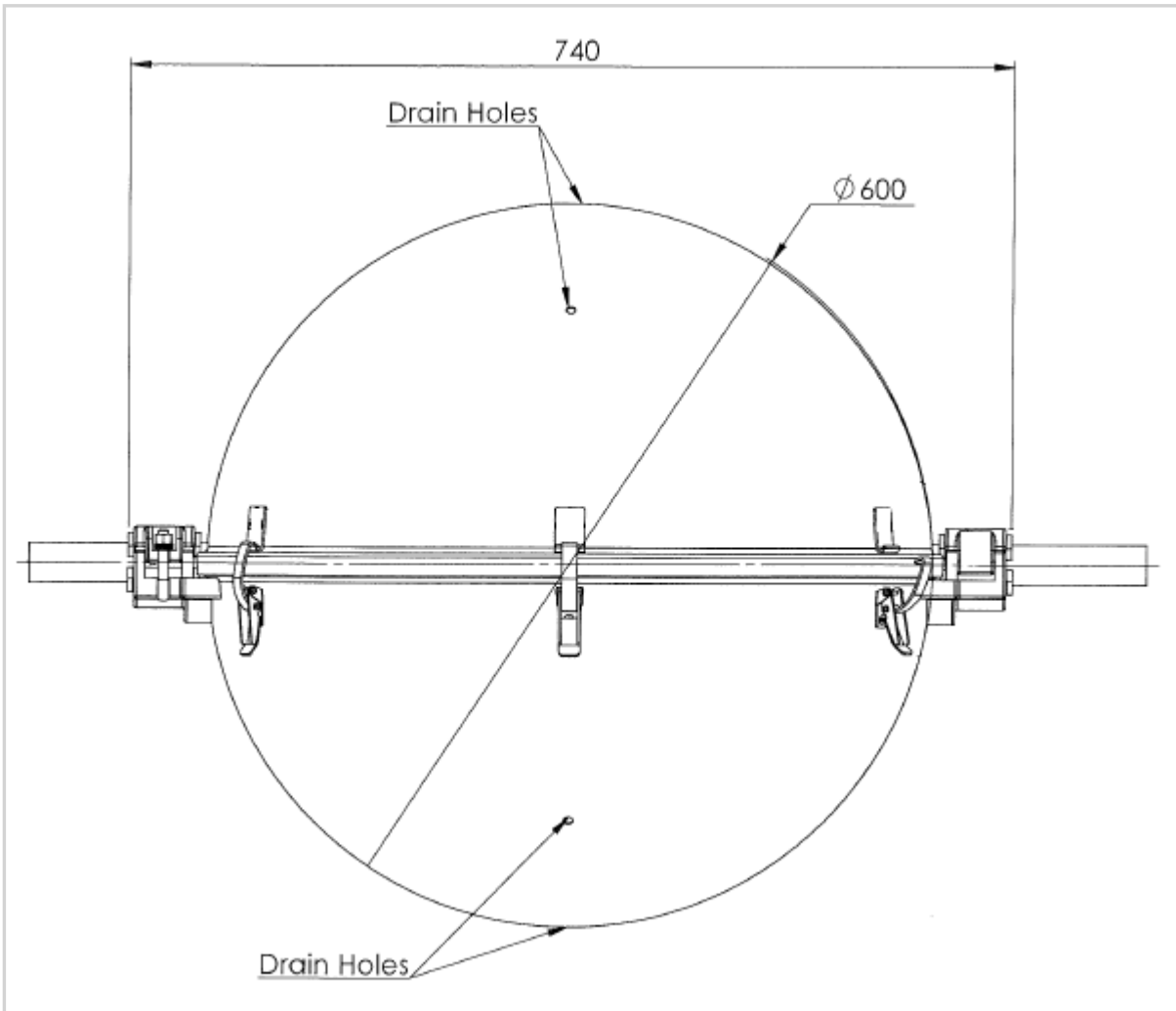


The obsta spherical markers are compliant with International Civil Aviation Organisation (ICAO) annex 14 chapter 6 recommendations.



- overall diameter 600mm
- material: aluminium
- Designed for high voltage
- No losing parts and easy i



Mechanical Characteristics
Cable diameter
Maximum cable temperature
Color
Weight