

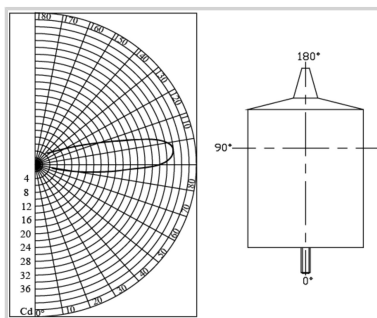
Spare part for led lights



- Completely molded and perfectly waterproof
- Bird spike
- No grounding issue, class II
- Total 64 leds wired in 16 independent circuits of 4 leds each
- Very compact and very low weight

The "NAVILITE-HOLDER" for vertical or horizontal installation should be ordered separately

Option **length of cable : 1 meter**



Electrical Characteristics	
Wattage	6 W
Current drawn	125 mA
Life time	~10years
Main voltage	48VDC \pm 10%
Mechanical Characteristics	
IP degree	IP66
Wiring	On stripped wires
Operating temperature	-40/+55°C
Weight	370g
Weight	370g
Size of the light	112mm (height) x 63mm (over diameter)
Attachment	1 screw M5 provided
Photometric Characteristics	
Luminous intensity	> 32cd
Color night time	Red fixed
Vertical beam spread	>10°
Horizontal beam spread	360°
Standards	
Standards compliance	ICAO annexe 14 chapter 6 (8th edition 07/2018), EASA (4th edition 2017)