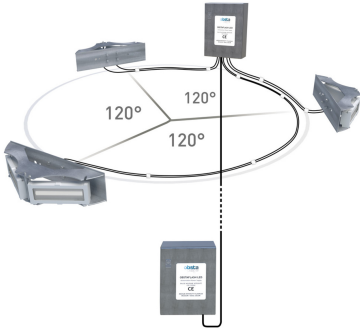


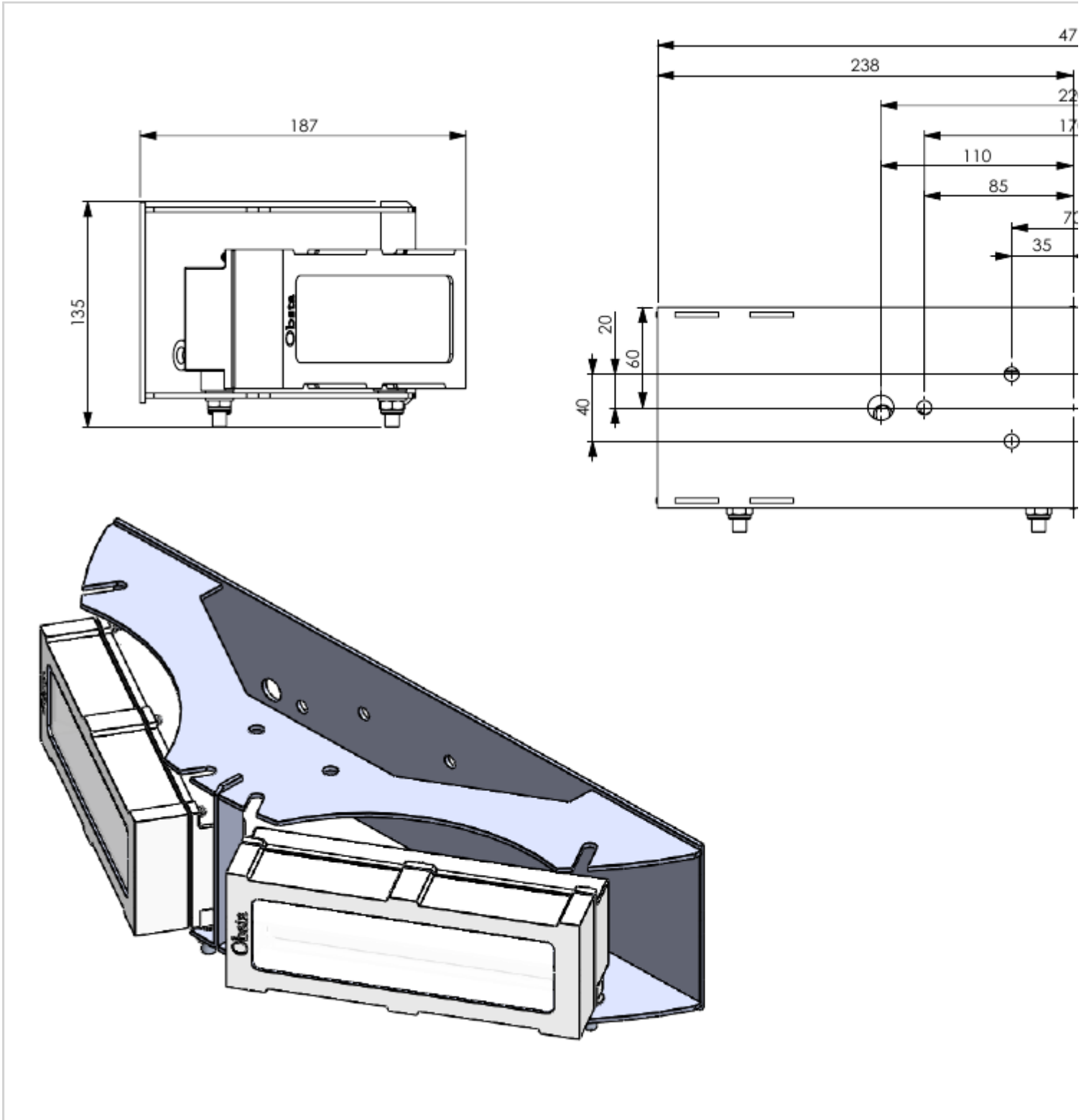


OFI120-WW-48/240-U [P/N: 113757U]

White medium intensity system FAA L-865 ETL certified



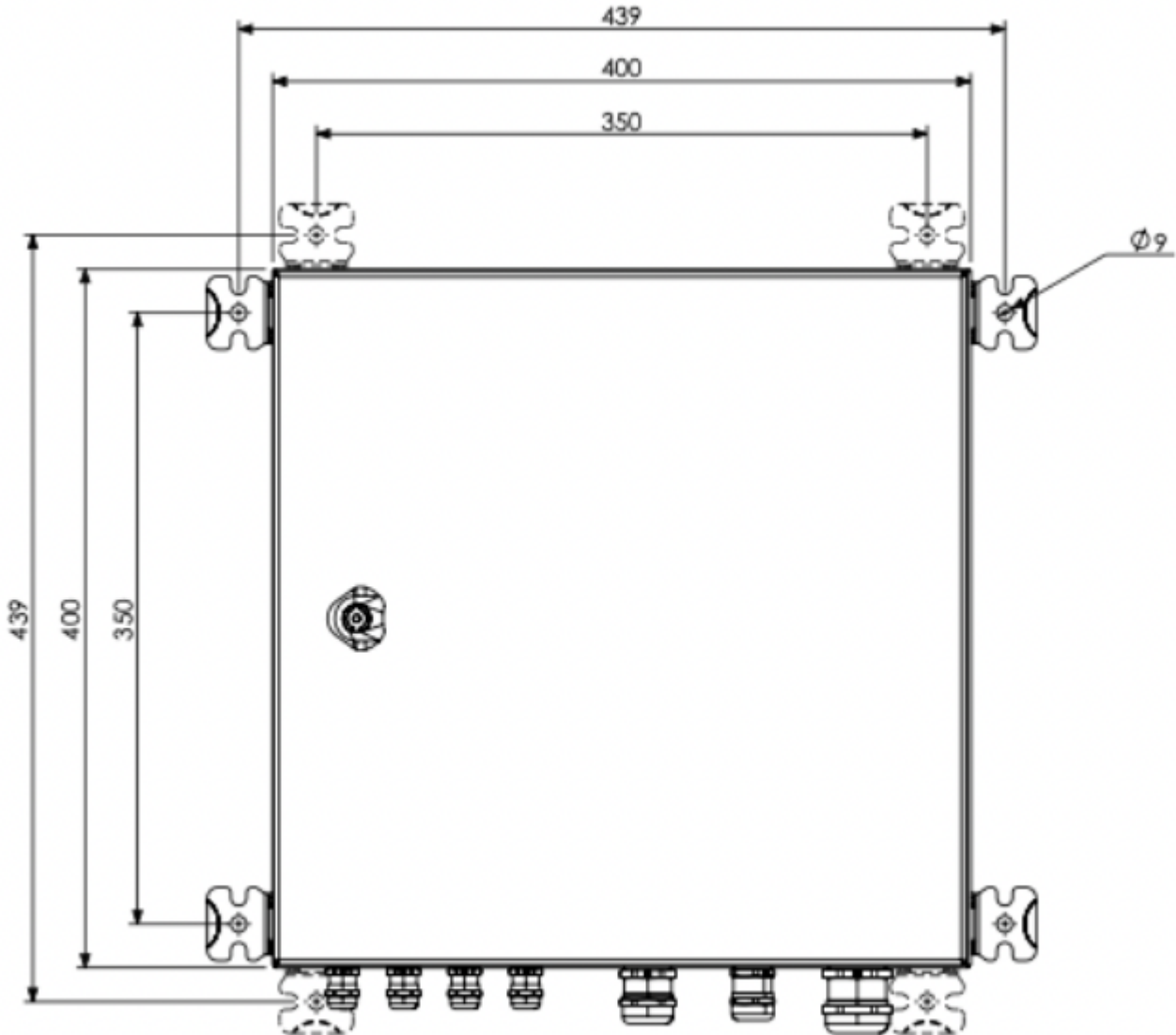
Patents: EP3230651, FR1462349, Pat. 10,247,386



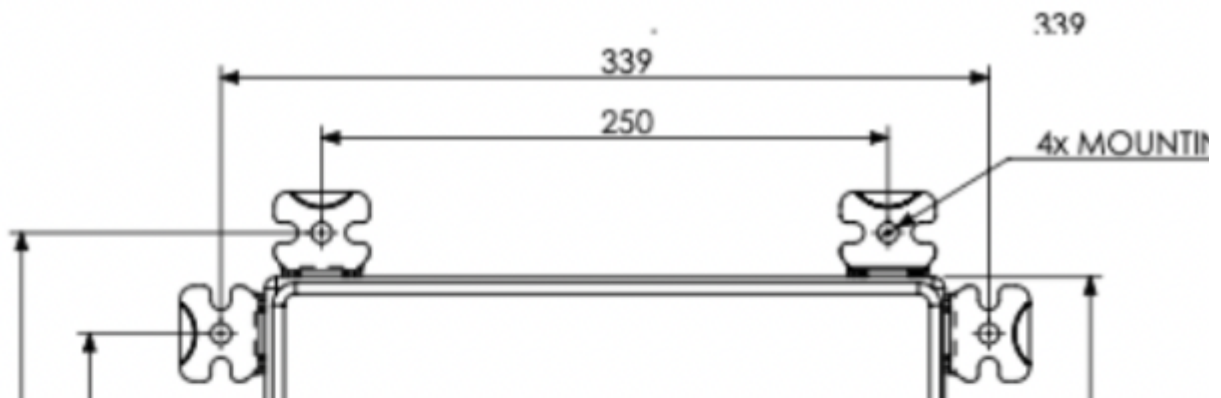


OFI120-WW-48/240-U [P/N: 113757U]

White medium intensity system FAA L-865 ETL certified



Les dimensions sont en mm
All dimensions are in mm





OFI120-WW-48/240-U [P/N: 113757U]

White medium intensity system FAA L-865 ETL certified