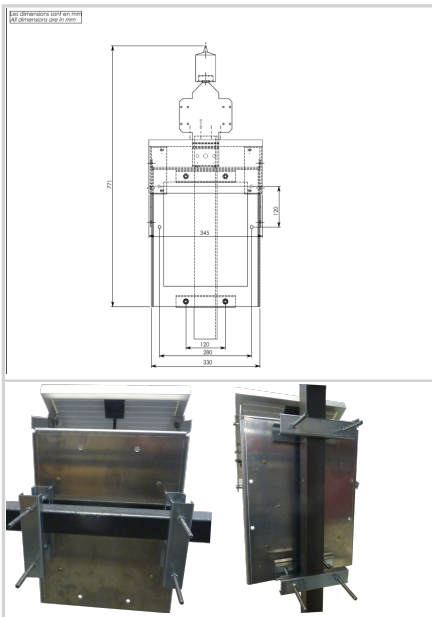


12Vdc custom packaged solar kit including 20/30 watts peak solar panel with battery capacity 17/32Ah for NAVILITE-SOL or OFC 12V (the size of the solar panel and battery capacity depends on localisation)

Advantages

- Initial capacity of the battery with more than 6 days of autonomy offering limited maintenance cost
- gel battery
- Very easy maintenance : changing the battery is easy and quick
- Protection of the battery against overcharges and deep discharge
- Possibility to fix one or two lights in redundancy directly on the solar kit (light to be ordered separately)
- Accessories to attach the solar kit on vertical leg or horizontal leg included



Mechanical Characteristics	
Attachment	2 brackets for vertical or horizontal leg