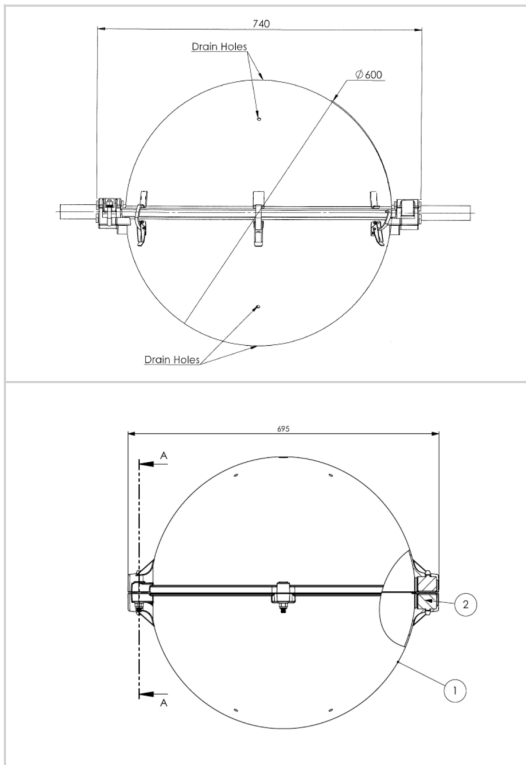


The obsta spherical markers are compliant with International Civil Aviation Organisation (ICAO) annex 14 chapter 6 recommendations.



- ✦ overall diameter 600mm
- ✦ material: aluminium
- ✦ Designed for high voltage cable, high temperature
- ✦ No losing parts and easy installation with only 2 screws and draw latches
- ✦ color: white, red or orange aviation to be specified at time order
- ✦ clamps depending on the diameter of the cable from 9mm up to 67mm to be specified at time order



Mechanical Characteristics	
Cable diameter	ϕ 14,0-17,5mm
Color	orange