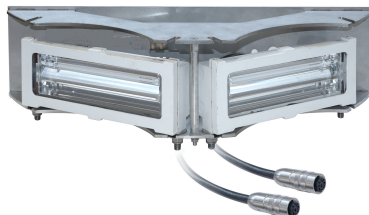


***This OBSTAFLASH120 ou 180 dual color medium intensity type A and B (or C) is designed for day and night marking of obstacle such as chimneys, pylons and high rise buildings (3 or more lights are required per level depending on diameter of the obstacle)***

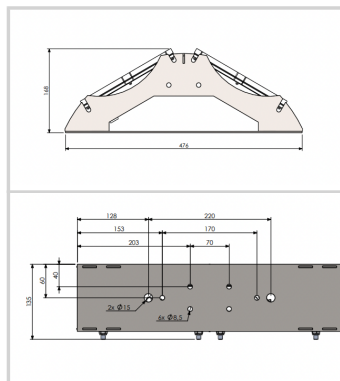


This flashhead includes

- 2 led projectors coming with 'X' meter of cable and connector ((0.75cm, 2, 3, 5, 10, 15 meters to be defined at time order)
- Stainless support for the 2 projectors

Patents: Each projector is connected to an obsta power supply with connector plug

EP3230651, FR1462349, Pat. 10,247,386



Mechanical Characteristics	
Wiring	X meter of molded cable with connector
Operating temperature	-40/+55°C
Weight	3,5kg
Size of the light	120mm (height) x 480mm (width)
Photometric Characteristics	
Effective light output day time at 0° on site	20 000cd (white)
Effective light output twilight mode at 0° on site	20 000cd (white)
Effective light output night mode at 0° on site	2000cd (red) with IR
Color day/twilight time	white
Color night time	Red
Horizontal beam spread	360° with minimum 3 flashheads fixed at 120° around the obstacle
Flash per minute	40
Standards	
Standards compliance	ICAO annexe 14 chapter 6 (8th edition 07/2018), EASA (4th edition 2017)