

Xenon medium intensity type B compliant with ICAO medium intensity type B and compliant with FAA AC 150/5345-43G including a flashhead and a power supply (300m max)

Flashhead

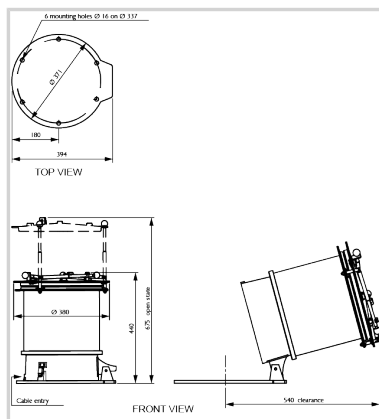
- 2 xenon flash tubes in redundancy
- Enveloppe and optic in glass
- No tools required to open the flashhead
- Aluminium body
- All electronic in the power supply (300m max)

Power supply

- 'Weather tight' stainless steel 316L power cabinet enclosure with safety interlock switch
- Long life dry capacitors
- 'Plug-in' modular construction
- Alarm relay and synchronisation card provided
- to be used with photocell 24Vdc P/N100754 and interconnecting cable P/N113805 (max length 300 meters) between flashhead and power supply
- in option wireless GPS interface for synchronisation P/N113746 and 24Vdc battery cabinet P/N113505



Patents: EP 1966535B1 & US 7816843



Electrical Characteristics	
Main voltage	24VDC (-10%; +15%)
Average wattage	140W
Mechanical Characteristics	
IP degree	IP65 for power cabinet in vertical position
Wiring	Entry of cable by glands nickel plated brass and connection by terminals
Operating temperature	-40/+55°C
Weight	42 kg
Weight	42 kg
Size of the light	494mm (height) x 394mm (over diameter)
Wire cross section	from 1 to 4 mm ²
Attachment	6 mounting holes dia.16mm, dia.337mm circle (FAA standard)
Photometric Characteristics	
Effective light output night mode at 0° on site	2000cd (red) with IR
Color night time	Red
Vertical beam spread	>3°
Horizontal beam spread	360°
Flash per minute	20, 40 or 60 flashes per minute
Standards	
Standards compliance	ICAO annex 14 chapter 6, FAA AC 150/5345-43G