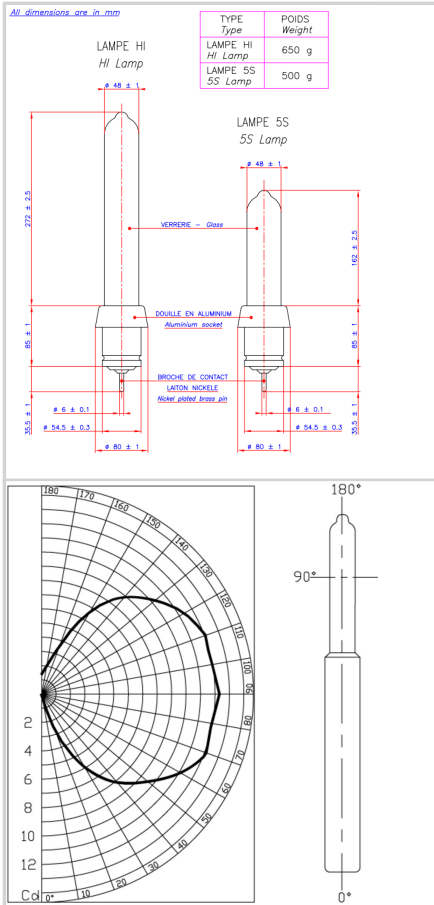




OBSTA lamp 5 turns with CLAUDE base Long life, red fixed lamp



| Mechanical Characteristics | |
|----------------------------|---------|
| Weight | 0.48 kg |