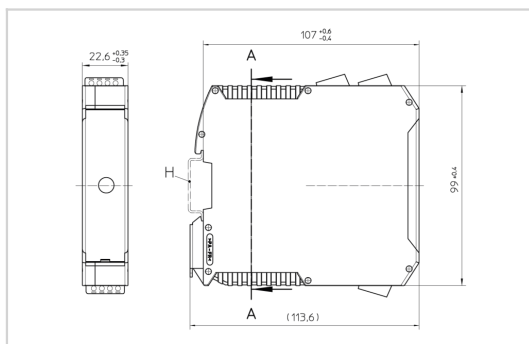


Synchronisation interface using the GPS clock



- ✦ DIN rail mounting
- ✦ Dip-switches to select the desired frequency of the pulse per minute on the first second of each minute of UTC clock
- ✦ 2 output signals available: 1 for day/night mode and 1 for top sync for flash synchronisation
- ✦ 2 luminous indicators: 1 for top pulse. and 1 for day/night mode
- ✦ suitable for any obsta power cabinet
- ✦ provided with magnetic antenna



Electrical Characteristics	
Main voltage	24-48Vdc +/-10%
Mechanical Characteristics	
Weight	0.5 kg
Attachment	DIN rail mounting