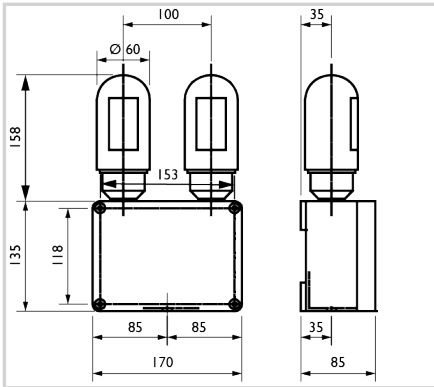


Photocell for day/twilight and twilight/night change of light output in accordance with ICAO to be used with the high intensity type A



- 2 plug-in photocell hard glass and aluminium with plated contact surfaces fixed on a junction box
- automatic control of the obstruction lighting according to ambient light day/twilight/night (ICAO settings: 500 lux and 50 lux)
- timer to prevent the functioning of the cell at inopportune times (lightning)



Electrical Characteristics	
Main voltage	120VAC +/-10%
Average wattage	1.5VA
Mechanical Characteristics	
IP degree	IP65 in vertical position
Operating temperature	-25°C/+60°C
Weight	0.3 kg
Attachment	4 screws type M4
Standards	
Standards compliance	ICAO annexe 14 chapter 6 (8th edition 07/2018), EASA (4th edition 2017)