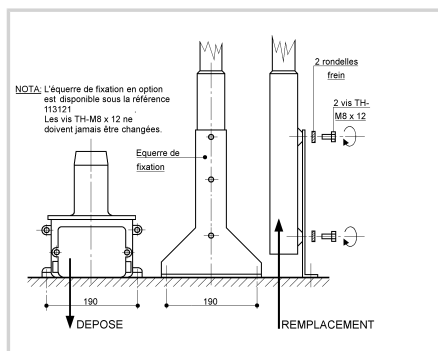


Support for one OBSTA HI STI or OBSTA STI



- Stainless support thickness 3mm to install an OBSTA STI or OBSTA HI STI on horizontal platform



Mechanical Characteristics	
Weight	0.77 Kg
Attachment	2 mounting holes for M6 screws