

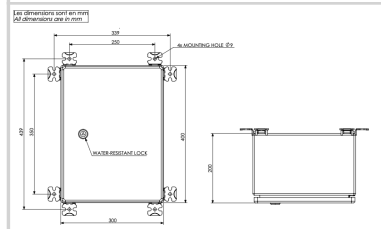
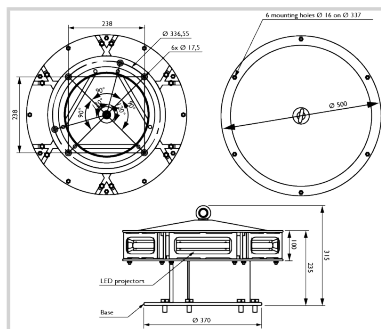
**Dual color OBSTAFLASH medium intensity type A and B or C**
**Flashhead**

- 6 led projectors with molded cable & connector
- Aluminium and glass envelope
- No losing part and no tools required to remove projectors from the flashhead
- All led drivers and control electronic in the power cabinet, special interconnecting cable between flashhead and power cabinet

**Power supply**

- 'Weather tight' stainless steel 316L power cabinet enclosure
- Test button for remote (photocell), day and night mode
- Alarm dry contact NC and NO
- Master/slave configuration in case of multiple lights synchronisation
- to be used with external photocell P/N100755 and interconnecting cable P/N113762LX (X length in meters)

Patents:


**EP 1966535B1 & US 7816843**


Electrical Characteristics	
Main voltage	110VAC to 240VAC +/-10% 50/60Hz
Average wattage	55W (day time), 8W (night mode)
Mechanical Characteristics	
IP degree	IP66 per projector
Wiring	Entry of cable by glands nickel plated brass and connection by terminals
Operating temperature	-40/+55°C
Weight	24 kg
Weight	24 kg
Size of the light	315mm (height) x 500mm (diameter)
Size of the power supply	400mm (height) x 300mm (width) x 200mm (dept)
Wire cross section	from 1 to 4 mm <sup>2</sup>
Attachment	6 mounting holes dia.16mm, dia.337mm circle (FAA standard)
Photometric Characteristics	
Effective light output day time at 0° on site	20 000cd (white)
Effective light output twilight mode at 0° on site	20 000cd (white)
Effective light output night mode at 0° on site	2000cd (red) with IR
Color day/twilight time	white
Color night time	Red
Vertical beam spread	>3°
Horizontal beam spread	360°
Flash per minute	40
Standards	
Standards compliance	ICAO annexe 14 chapter 6 (8th edition 07/2018), EASA (4th edition 2017)