

*Cold neon discharge low intensity type A devoted to the night marking of all kind of obstacles supplied by a standalone DC power source in 12VDC*

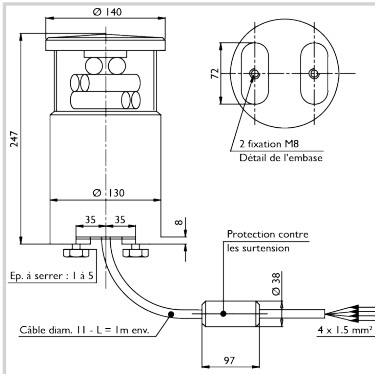


Patent EP 1966535B1 & US 7816843

- Perfectly waterproof, hard glass
- No grounding issue, class II
- Great light efficiency
- Not sensitive to temperature, luminous intensity remains stable over years whatever is ambient temperature
- Protected against transient overvoltages
- Alarm by closing relay in case of lamp failure or low power

Patents:

EP 1966535B1 & US 7816843



Electrical Characteristics	
Wattage	6 W
Current drawn	500 mA
Life time	~10years
Main voltage	12VDC (-10%; +15%)
Mechanical Characteristics	
IP degree	IP66
Wiring	On 4 stripped wires 4x1,5mm <sup>2</sup> (length of cable 1 meter) (2 power wires, 2 alarm wires)
Operating temperature	-40/+55°C
Weight	3.1 kg
Weight	3.1 kg
Size of the light	247mm (height) x 140mm (over diameter)
Attachment	2 screws type M8 (provided) horizontally. Thickness to screw into : 1 up to 5 mm
Photometric Characteristics	
Luminous intensity	> 10 Cd
Color night time	Red fixed
Vertical beam spread	>10°
Horizontal beam spread	360°
Standards	
Standards compliance	ICAO annexe 14 chapter 6 (8th edition 07/2018), EASA (4th edition 2017)

