

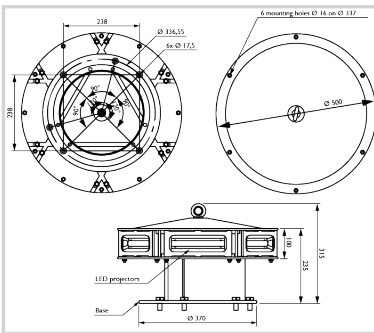
Obstruction lighting systems including 2 dual color medium intensity (MI type A daytime + W-Rot night time)

2 dual color flashheads with :

- 6 led projectors coming molded cable
- Aluminium and glass envelope
- Vertical stainless support
- GPS synchronisation

A power supply :

- Metallic enclosure with magnet, interlock switch and cable entry at the bottom
- Surge protection included
- Battery included
- Alarm relay in case of projector failure or power supply failure
- Test button with auto/day/night modes
- 8 led indicators for easy diagnostic per flashhead
- GPS for wireless synchronisation
- GSM modem for the remote status of the lights and the voltage of the batteries



Mechanical Characteristics	
Operating temperature	-40/+55°C
Size of the light	315mm (height) x 500mm (diameter)
Size of the power supply	590mm (height) x 350mm (width) x 250mm (dept)
Photometric Characteristics	
Effective light output day time at 0° on site	20 000cd (white)
Effective light output twilight mode at 0° on site	20 000cd (white)
Color day/twilight time	white
Color night time	Red
Horizontal beam spread	360°
Standards	
Standards compliance	ICAO medium intensity type A during the day and Feuer W, rot during the night